

HIGH-DENSITY RACK MOUNT FIBRE PATCH PANEL

The Norden High-Density Rack Mount Fibre Patch Panel provides Splicing / Pass-through space for backbone and fibre to the desk. These panels come with a smart design, easy to install, and can be easily maintained. They are frequently used in Telecom & data centres.



FEATURES

- Easy front access.
- 19 rack mount 1U
- 4 no's of Snap-in Sub modules can accommodate in (1U)
- A lockable front panel protects the Trunk cables & Patch Cords
- The cable manager is available to route the trunk cable properly
- This panel is compatible with Splicing & Pass-Through

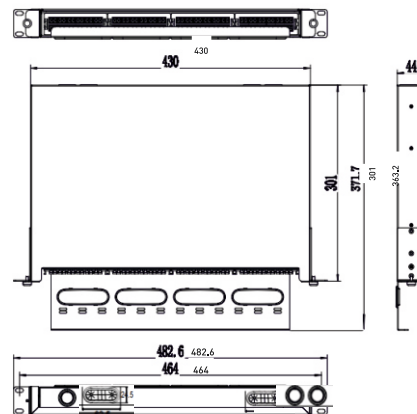
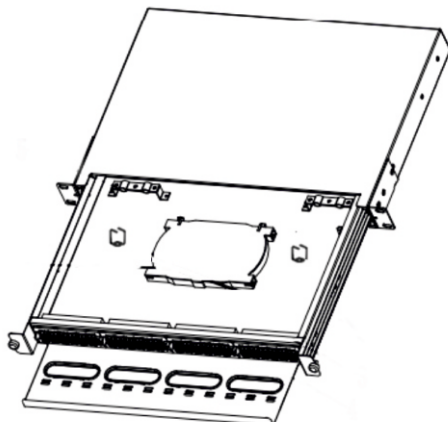
COMPLIANCE

TSE: EN 61587-1 Mechanic
 Equipment - Tests for IEC 60917 and IEC 60297
 Climatic and Environment: EN 61587-1/4.2, IEC60068-2-1,
 IEC60068-2-2, IEC60068-2-30

SPECIFICATIONS & ACCESSORIES

| | |
|--------------------------------|--|
| Mounting Type | 19" Rack |
| Panel Type | Drawer |
| Material | SPCC |
| Material Thickness (min.) | 1.5 mm |
| Panel Frame Thickness (min.) | 1.5mm |
| Adaptor Plate Thickness (min.) | 1.0mm |
| Ear Plate | 2 Pcs |
| Thickness | 1.5mm |
| Cable Entry | 3 on the Rear Side (1 Rectangle Hole with Rubber Grommet for Pass-through Cable entry & 2 round holes for Fibre cable entry) |
| Splice Tray | 2X48F |
| Splice Capacity | LC:96F, SC:48F |
| Pass-Through Capacity | LC:96F,SC:48F & 48 MTP/MPO Trunk cables |
| Humidity | Relative Humidity~25%~75%(+30 C) |
| Operation Temperature | -20°C to 70°C |

DRAWING



HIGH-DENSITY RACK MOUNT FIBRE PATCH PANEL

ORDERING INFORMATION

PATCH PANEL

| Part Number | Description | Dimension(mm) |
|-------------|--|-----------------|
| 747-R01X | High-Density Rack Mount Fibre Patch Panel Unloaded- 1U | 44x482.66x363.2 |
| 747-R02X | High-Density Rack Mount Fiber Patch Panel Unloaded- 2U | 89x482.66x363.2 |
| 750-01X | High-Density Rack Mount Panel Blank insert | |

ADAPTOR MODULE

| Part Number | Description |
|-------------|--|
| 748-L11SMX | 12 Port SM LC/PC Duplex Snap-in Sub Module Loaded |
| 748-L13SMX | 12 Port SM LC/APC Duplex Snap-in Sub Module Loaded |
| 748-L12SMX | 12 Port SM LC/UPC Duplex Snap-in Sub Module Loaded |
| 748-L110M4X | 12 Port MM LC/PC Duplex Snap-in Sub Module Loaded |
| 748-L120M5X | 12 Port MM OM5 LC/UPC Duplex Snap-in Sub Module Loaded |
| 748-S23SMX | 12 Port SM SC/APC Simplex Snap-in Sub module Loaded |
| 748-S22SMX | 12 Port SM SC/UPC Simplex Snap-in Sub module Loaded |
| 748-S220M3X | 12 Port MM OM3 SC/UPC Snap-in Sub Module Loaded |
| 748-S220M4X | 12 Port MM OM4 SC/UPC Snap-in Sub Module Loaded |
| 748-S210M4X | 12 Port MM SC/PC Simplex Snap-in Sub Module Loaded |
| 748-M400X | 12 Port MTP Key Up-Key Down Snap-in Sub Module Loaded |
| 748-S21SMX | 12 Port SM SC/PC Simplex Snap-in Sub Module Loaded |
| 748-L200X | 6 Port SM LC/UPC & 6 Port OM3 Duplex Snap-in Sub Module loaded |
| 748-L300X | 6 Port SM LC/APC & 6 Port OM3 Duplex Snap-in Sub Module loaded |
| 748-L400X | 6 Port SM LC/UPC & 6 Port OM4 Duplex Snap-in Sub Module loaded |
| 748-L500X | 6 Port SM LC/APC & 6 Port OM4 Duplex Snap-in Sub Module loaded |