

NVS-10390040CS

40W COAXIAL CEILING SPEAKER WITH MULTIPLE POWERTAP OPTION

CEILING SPEAKER



DESCRIPTION

The NVS-10390040CS is a Ceiling Speaker and it can be switched between the ohms terminal 8 Ω and the voltage terminal 70/100V. The built-in 6.5" speaker driver has a wide frequency response range of 50Hz to 20kHz. It is made of high-quality ABS material, which assure a long-term durability and never be out of shape or fading. It is an ideal choice for industrial and commercial applications like hotel, school, office and factory where background music and paging is required.

FEATURES

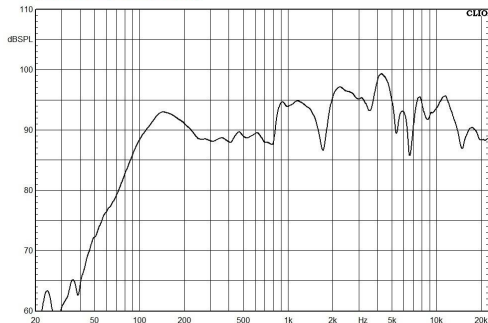
- ◉ Coaxial structure
- ◉ Easy installation
- ◉ High-quality ABS material

Specifications	
Model	NVS-10390040CS
Rated Power	40W
Driver Size	6.5" X 1, 1 " X 1
Frequency Response	50Hz-20kHz
Power Taping Options	6/10/20/40W
Input Voltage/Impedance	70/100V, 4-16Ω
Coverage Angle	150°
Input Connectors	Spring loaded terminal
Sensitivity(1m,1w)	91dB±2dB
Maximum SPL(1m)	107dB±2dB
Operating temperature	-25°C~+57°C
Weight	4.2Kg
Cutout size	Ø200mm
Dimension	Ø232 x 243 mm

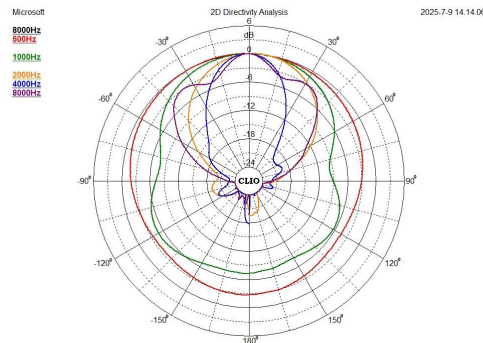
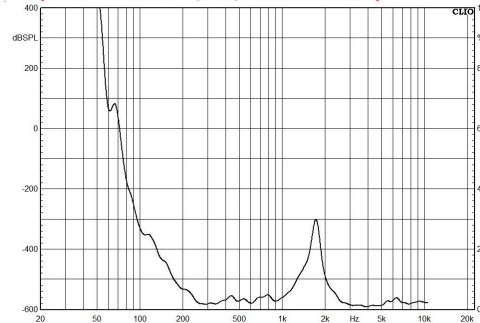
NVS-10390040CS

40W COAXIAL CEILING SPEAKER WITH MULTIPLE POWERTAP OPTION

Frequency Response
(dB SPL, 1W, 1m)

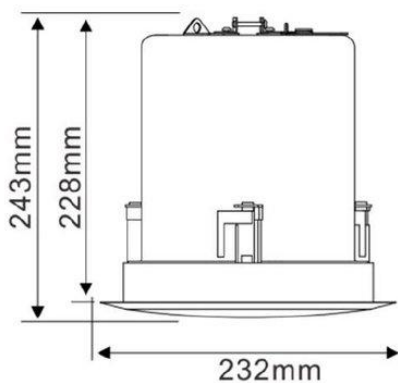


Distortion
(THD < 1.5% 1W,1m, 100Hz-10kHz)



DIRECTIVITY PATTERN

DIMENSION



ORDERING INFORMATION

Part Number	Description	Standard Quantity
NVS-10390040CS	40W COAXIAL CEILING SPEAKER WITH MULTIPLE POWER TAP OPTION	01

ACCESSORIES INFORMATION

Description	Standard Quantity
User Manual	01