

MUSHROOM SHAPED GARDEN SPEAKER 15W



DESCRIPTION

The NVS-10980030GS is a 15W outdoor landscape garden speaker with a built-in 70V/100V transformer for efficient long-distance transmission and easy parallel connection of multiple units. Designed with a mushroom-shaped, high-strength engineering plastic enclosure, it offers weatherproof and impact-resistant durability for reliable performance in harsh outdoor environments. With clear and uniform sound dispersion, it is ideal for industrial and commercial applications such as train stations, shopping malls, parking areas, factories, and gardens, delivering both background music and paging functionality.

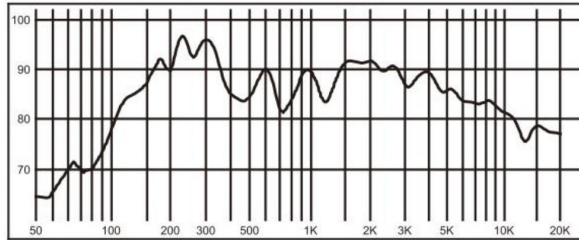
FEATURES

- ⦿ IPX6 waterproof level
- ⦿ Landscape Garden type loudspeaker
- ⦿ Heavy damage proof finish
- ⦿ High quality engineering resin material

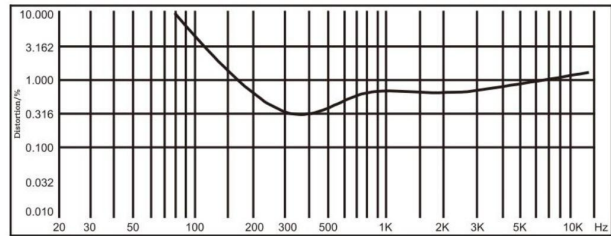
Specifications	
Model	NVS-10980030GS
Rated Power	15W
Driver unit	4"×1+6"×1+3"×2
Frequency Response	100Hz-18kHz
Power Taping Options	15W/8W
Input Voltage/Impedance	70V/100V
Sensitivity(1m,1w)	90dB±2dB
Maximum SPL(1m)	101dB±2dB
Coverage Angle	360°
Weight	7kg
Dimension(L×H)	Ø410×480mm

MUSHROOM SHAPED GARDEN SPEAKER 15W

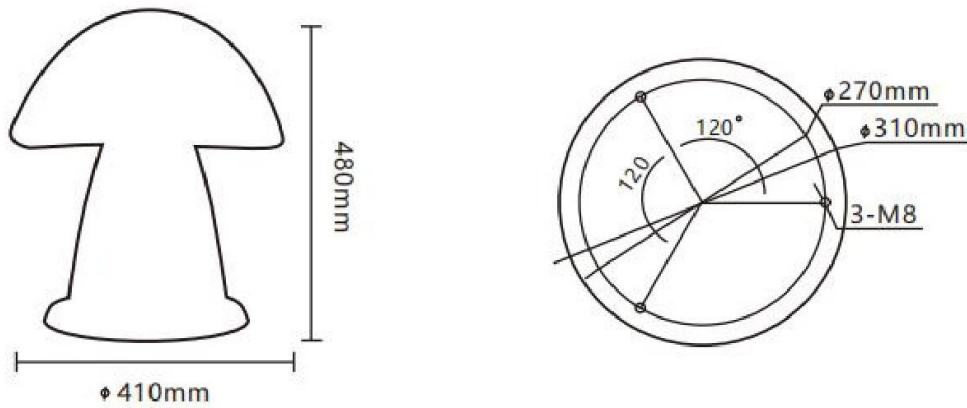
FREQ. RESPONSE
(dB SPL, 1W, 1m)



DISTORTION
(THD < 1.5% 1W, 1m, 100Hz-10kHz)



DIMENSION



ORDERING INFORMATION

Part Number	Description	Standard Quantity
NVS-10980030GS	MUSHROOM SHAPED GARDEN SPEAKER 15W	01