

WALL MOUNT BRACKET FOR PTZ CAMERA



ENB-BCPW66

FEATURES

Aluminium Material

Max. Load Support up to 8 kg

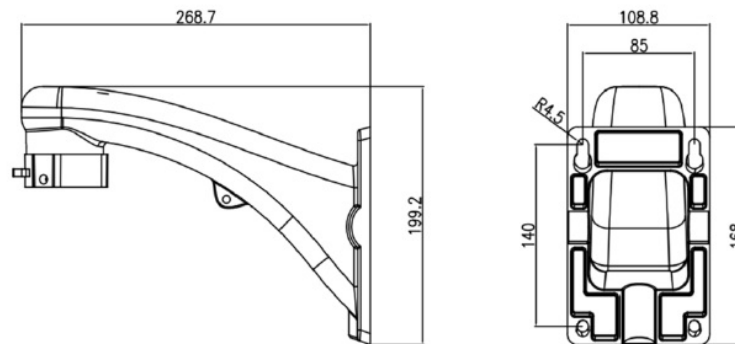
Wall Mount Bracket for Norden PTZ Camera



SPECIFICATION

MODEL	Model No.	ENB-BCPW66
	Type	WALL MOUNT BRACKET FOR PTZ CAMERA
GENERAL	Construction	Aluminium
	Color	White
	Max. Weight Supported	8 Kg
	Dimensions(LxWxH)	268.7x 108.8 x 199.2 mm
Weight	0.97 Kg	

Dimension Unit : mm



ORDERING INFORMATION

Part Number	Description	Standard Quantity
ENB-BCPW66	Wall Mount Bracket for Norden PTZ Camera	1

PACKING INFORMATION

Part Number	Packing Mode	Gross weight(Kg)	Dimension(mm)
ENB-BCPW66	Carton Box	-	-

★Product specification and availability are subject to change without notice.