

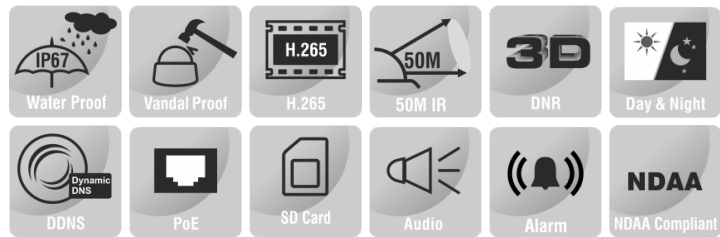
8MP MOTORIZED VANDAL DOME CAMERA



ENC-HVDAM-50R-94

FEATURES

- Starlight Illumination
- 2.7~13.5 mm Motorized Lens
- Smart IR upto 50 m
- ONVIF Profile (S, G, T, M)
- Triple Stream
- Built-in Mic
- PoE, IK10, IP67



SPECIFICATION

MODEL		Model No.	ENC-HVDAM-50R-94
CAMERA		Type	8MP MOTORIZED VANDAL DOME CAMERA
		Image Sensor	1/2.8" CMOS Progressive 8.0 MegaPixel
		Day/Night	Dual IR Cut Filter with Auto Switch
		Lens Type	Motorized
		Focal Length	2.7~ 13.5 mm
		Focus	Auto / Manual
		Iris Type	DC Auto Iris
		Lens Mount	Φ14
		Angle of View (H)	106.7° ~ 31.5°
		Angle of View (V)	57.3° ~ 17.8°
		Angle of View (D)	130.9° ~ 34.8°
		Angle Adjustment	Pan 0~330°, Tilt 0~75°, Rotate 0~350°
		Aperture	F1.6 ~ F3.3
		Electronic Shutter	1s ~ 1/100,000s, Auto/Manual
Min. illumination	Color: 0.001 lux @ F1.6, B/W: 0 lux with IR		
AGC	Auto / Manual		
Digital Noise Reduction	3D DNR		
S/N Ratio	≥60dB		
Defog	Smart Defog		
WDR	120 dB		
Smart IR	Up to 50 m		
IR LEDs	18		
Wavelength	850 nm		

★Product specification and availability are subject to change without notice.

8MP MOTORIZED VANDAL DOME CAMERA



ENC-HVDAM-50R-94

MODEL	Model No.	ENC-HVDAM-50R-94
	Type	8MP MOTORIZED VANDAL DOME CAMERA
DORI	Lens	2.7 ~ 13.5 mm
	Detection	77.0 ~ 331.0 m
	Observation	30.5 ~ 131.0 m
	Recognition	15.5 ~ 66.0 m
	Identification	7.5 ~ 33.0 m
VIDEO	Max.Resolution	3840x2160
	Video Compression	Enhanced (H.265, H.264), H.265, H.264, MJPEG
	Frame Rate	Main Stream: (3840x2160, 3072x2048, 2560x1440, 2304x1296, 1920x1080, 1280x720)@ 25/30fps Sub Stream: (704x480, 704x240, 640x360, 352x240) @ 30fps, (704x576, 704x288, 640x360, 352x288) @ 25fps Third Stream: (704x480, 704x240, 640x360, 352x240) @ 30fps, (704x576, 704x288, 640x480, 352x288) @ 25fps
	Stream Settings	i-Frame, PAL/NTSC, Frame Rate (1~30FPS), SVC
	EIS	Supported
	Video Bit Rate	32 kbps ~ 16Mbps
	Bitrate Type	CBR, VBR
	Image Settings	Brightness, Contrast, Saturation, Hue, Sharpness, Rotation/Mirror, Gain, Exposure, Day/Night
	White Balance	Auto, Semi Auto, Sunshine, Daylight, Warm Light, Filament, Nature Light, Lock WB, Manual
	Corridor Mode	Supported
	HLC	Supported
	BLC	Supported
	OSD	Up to 5 Regions
	OSD Type	Title, Week, Date, Time, Text with different colors and adaptable sizes (16x16, 24x24, 32x32, 48x48, 64x64, 96x96), Image overlay
	ROI	Up to 8 regions
	Privacy Mask	Up to 4 regions
	HeatMap	Supported
AUDIO	Audio Compression	G.711A, G.711U, ADPCM_D, AAC_LC
	Audio Bit Rate	8 kbps, 32 kbps, 48 kbps
	Audio I/O	1/1
	Audio Voltage	Input: Level 5V, Input Impedance 1500 ohms Output: Level 3V, Output Impedance 100 ohms
	Built-in Mic	Supported with noise cancellation
SMART	Behavior Detection	Intrusion (Perimeter), Crossline (Tripwire), Double Crossline (Double Tripwire)
	Intelligent Identification	Loitering, Running, Abandoned Object (Object Left), Missing Object (Object Lost), Parking
	Statistical Analysis	People Counting, Crowd Detection, On Duty Detection, Helmet Detection, Human & Vehicle Classification, Abnormal Video & Audio Detection
	Alarm Management	Motion Detection, Tampering (Masking), Input & Output Event, IP & MAC Address Conflict, Disk Alarm (Full & R/W Error), FTP Server Exception, Pre/Post Alarm Recording, Alarm Recording/Snapshot
	Alarm Notifications	E-mail (Notification and Snapshot), HTTP (Alarm Icon), FTP (Snapshot and Recording), SD Card (Recording)
INTERFACE	Protocols	TCP/IP, UDP, IPv4, IPv6, ICMP, HTTP, HTTPS, FTP, NFS, DHCP, DNS, DDNS, RTP, RTSP, RTCP, RTMP, PPPoE, NTP, UPnP, SMTP, SSL, TLS 1.2, IGMP, 802.1X, QoS, Unicast, Multicast, ARP, SNMP, SFTP, SRTP, P2P
	Security	AES 128 Video Encryption, IP Filter, User Authentication (Multiple Privilege Level)
	Compatibility	ONVIF Profile (S, G, T, M), SDK/API/CGI
	Network	1 x RJ45 10M/100M Self Adaptive Ethernet Port
	Wi-Fi	N/A
	Alarm I/O	2/1
	Alarm Voltage	Input (switch type), Output (3.3V-12V, 10 ohm)
	Serial Interface	Supported
	USB	N/A
	Edge Storage	Micro SD Card Slot, Up to 512 GB
	ANR	Supported
	Built-in Speaker	N/A
	Cable Interface	Pig Tail
Remote Connection	≤7	
Web Language	15	
Client Application	EyeConnect	

★Product specification and availability are subject to change without notice.

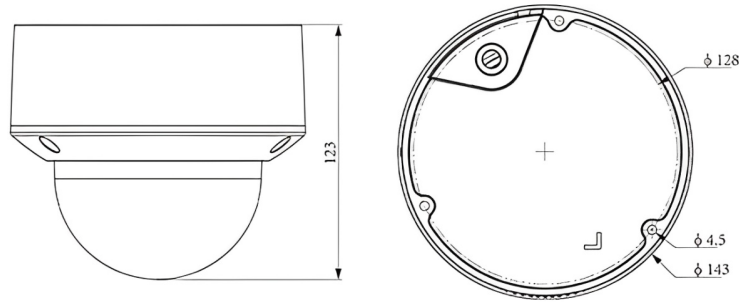
8MP MOTORIZED VANDAL DOME CAMERA



ENC-HVDAM-50R-94

MODEL		ENC-HVDAM-50R-94
Type		8MP MOTORIZED VANDAL DOME CAMERA
GENERAL	Power Supply	12V DC, PoE (IEEE 802.3af)
	Max. Power Consumption	≤8 W (12V DC), ≤9 W (PoE)
	Working Temperature	-35 °C ~ 65 °C
	Working Humidity	≤95% RH (non-condensing)
	Ingress Protection	IP67
	Vandal Resistant	IK10
	Extra corrosion resistance coating	Supported (Optional)
	Surge Protection	TVS4000V
	Reset Button	Supported
	Dimensions	Φ143×123 mm
Net Weight	0.95 Kg	

Dimension Unit : mm



ORDERING INFORMATION

Part Number	Description	Standard Quantity
ENC-HVDAM-50R-94	8MP Starlight IR IP Vandal Proof Dome Camera with 2.7-13.5mm Motorized Lens, PoE, WDR, SD card slot, Built-in Mic, Smart Analytics and 50m IR Support	1
ENB-BTDW65	Wall Mount Bracket for Norden Dome Camera (Plastic)	1
ENB-BTEJ65	Junction Box for Norden Motorized Turret Camera	1

PACKING INFORMATION

Part Number	Packing Mode	Gross weight(Kg)	Dimension(mm)
ENC-HVDAM-50R-94	Carton Box	1.25	245×175×164

★Product specification and availability are subject to change without notice.