

2MP PTZ DOME CAMERA



ENC-HPT5Z-150R-92

FEATURES

- Starlight Illumination
- 25X Optical Zoom
- Smart IR up to 150 m
- ONVIF Profile (S, G, T, M)
- Triple Stream
- Audio and Alarm Support
- PoE+, IP67



SPECIFICATION

MODEL		ENC-HPT5Z-150R-92
Model No.		ENC-HPT5Z-150R-92
Type		2MP PTZ DOME CAMERA
CAMERA	Image Sensor	1/2.8" CMOS Progressive 2.0 MegaPixel
	Day / Night	IR Cut Filter with Auto Switch
	Lens Type	Motorized Zoom Lens
	Focal Length	4.5 ~ 112.5 mm (Optional 4.8 ~ 120 mm)
	Focus	Auto / Manual
	Iris Type	P-Iris, Auto
	Angle of View (H)	64.4° ~ 2.7° (Optional 58.5° ~ 2.8°)
	Angle of View (V)	41.8° ~ 1.7° (Optional 33.2° ~ 1.5°)
	Angle of View (D)	76.5° ~ 3.2° (Optional 67.2° ~ 3.1°)
	Aperture	F1.5 ~ F3.8
	Optical Zoom	25X
	Digital Zoom	16X
	Zoom Speed	<5s
	Electronic Shutter	1s ~ 1/100,000s, Auto / Manual
	Min. Illumination	Color: 0.001 lux @ F1.5, B/W: 0 lux with IR
AGC	Auto / Manual	
Digital Noise Reduction	3D DNR, Auto / Manual	
S/N Ratio	≥60 dB	
Defog	Supported	
WDR	120 dB	
Smart IR	Up to 150 m	
IR LEDs	6	
Wavelength	850 nm	

★Product specification and availability are subject to change without notice.

2MP PTZ DOME CAMERA



ENC-HPT5Z-150R-92

MODEL	Model No.	ENC-HPT5Z-150R-92
	Type	2MP PTZ DOME CAMERA
DORI	Lens	4.5 ~ 112.5 mm (Optional 4.8 ~ 120 mm)
	Detection	68.2 ~ 1630.0 m (Optional 72.5 ~ 1759 m)
	Observation	26.7 ~ 657.0 m (Optional 28.6 ~ 709.7 m)
	Recognition	13.7 ~ 325.8 m (Optional 13.5 ~ 352.2 m)
	Identification	6.9 ~ 162.9 m (Optional 5.8 ~ 175.0 m)
VIDEO	Max. Resolution	1920x1080
	Video Compression	Enhanced (H.265, H.264), H.265, H.264, MJPEG
	Frame Rate	Main Stream: (1920x1080, 1280x720, 704x480, 640x480) @ 30fps, (1920x1080, 1280x720, 704x576, 640x480) @ 25fps Sub Stream: (704x480, 704x240, 640x360, 352x240) @ 30fps, (704x576, 704x288, 640x360, 352x288) @ 25fps Third Stream: (352x240) @ 30fps, (352x288) @ 25fps
	Stream Settings	i-Frame, PAL/NTSC, Frame Rate, SVC
	EIS	Supported
	Video Bit Rate	32 kbps ~ 16 Mbps
	Bitrate Type	CBR, VBR
	Image Settings	Brightness, Contrast, Saturation, Hue, Sharpness, Rotation/Mirror, Gain, Exposure, Day/Night
	White Balance	Auto, Semi Auto, Sunshine, Daylight, Warm Light, Filament, Nature Light, Lock WB, Manual
	Corridor Mode	N/A
	HLC	Supported
	BLC	Supported
	OSD	Up to 5 regions
	OSD Type	Title, Week, Date, Time, Text with Different colors and Ddappable Sizes (16x16, 24x24, 32x32, 48x48, 64x64), Image overlay
	ROI	Up to 7 regions
	Privacy Mask	Up to 24 regions
	Heatmap	Supported
AUDIO	Audio Compression	G.711A, G.711U, ADPCM_D, AAC_LC
	Audio Bit Rate	8 kbps, 32 kbps, 48 kbps
	Audio I/O	1/1
	Audio Voltage	Audio input, level 2.0~2.4V, Input Impedance 1 Kohms; Audio Output Impedance 600 ohms
SMART	Behavior Detection	Intrusion (Perimeter), Crossline (Tripwire), Double Crossline (Double Tripwire)
	Intelligent Identification	Loitering, Abandoned Object (Object Left), Missing Object (Object Lost)
	Statistical Analysis	Face Detection, On Duty Detection, Human & Vehicle Classification, Abnormal Video & Audio Detection, Crowd Detection, People Counting, Parking, Running
	Alarm Management	Motion Detection, Tampering (Masking), Input & Output Event, IP Address Conflict, MAC Address Conflict, Pre/Post Alarm Recording, Alarm Recording/Snapshot, FTP Server Exception
	Alarm Notification	E-mail (Notification and Snapshot), HTTP (Alarm Icon), FTP (Snapshot and Recording), SD Card (Recording)
INTERFACE	Auto Tracking	Supported
	Protocols	TCP/IP, UDP, IPv4, IPv6, ICMP, IGMP, HTTP, HTTPS, FTP, DHCP, DNS, DDNS, RTP, RTSP, RTMP, PPPoE, NTP, UPnP, SMTP, SSL, QoS, 802.1x, Unicast, Multicast, SNMP, P2P
	Security	AES 128 Video Encryption, IP Filter, User Authentication (Multiple Privilege Level), 802.1X Authentication (EAP-MD5), HTTPS Authentication, Digest Authentication, User Access Log
	Compatibility	ONVIF Profile (S, G, T, M), SDK/API/CGI
	Network	1 x RJ45 10M/100M Self Adaptive Ethernet Port
	Alarm Voltage	Input (switch type), Output ($\leq 24V$ DC, Current $\leq 1A$)
	Alarm I/O	1/1
	Edge Storage	Micro SD Card Slot, Up to 512 GB
	ANR	Supported
	Built-in Speaker	N/A
	Heater	N/A
	Fan	Supported
	Cable Interface	Pig Tail
	Remote Connection	≤ 7
Max. User	32	
Web Language	15	
Client Application	EyeConnect	

★Product specification and availability are subject to change without notice.

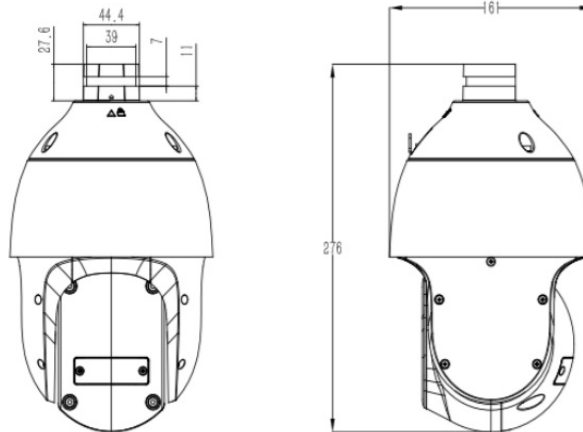
2MP PTZ DOME CAMERA



ENC-HPT5Z-150R-92

MODEL		ENC-HPT5Z-150R-92
Type		2MP PTZ DOME CAMERA
PAN AND TILT	Pan Range	0°~360° (Endless)
	Pan Speed	Pan Manual Speed: : 0.1°~200°/s, Pan Preset Speed: 240°/s
	Tilt Range	-16° ~ 90° (Auto flip)
	Tilt Speed	Tilt Manual Speed: 0.1°~120°/s, Tilt Preset Speed: 180°/s
	Preset Accuracy	±0.4°
	Number of preset	500
	Power off Recovery	Supported
	3D Position	Supported
	PTZ Mode	8 Scan , 16 Tour (32 presets per tour)
	Pattern	8 (each with 600s memory or 1000 orders)
GENERAL	Power Supply	12V DC, PoE+ (IEEE 802.3at)
	Max. Power Consumption	≤22W (IR ON), ≤9W (IR OFF)
	Working Temperature	-40°C ~ 70 °C
	Working Humidity	≤95% RH (non-condensing)
	Casing	Metal
	Ingress Protection	IP67
	Vandal Resistant	IK10 (Housing)
	Surge Protection	TVS6000V
	Reset Button	Supported
	Dimensions	Φ161×276 mm
Net Weight	3 kg	

Dimension Unit : mm



2MP PTZ DOME CAMERA



ENC-HPT5Z-150R-92

ORDERING INFORMATION

Part Number	Description	Standard Quantity
ENC-HPT5Z-150R-92 (With 4.5 ~ 112.5 mm Lens)	2MP Starlight IR IP H.265 PTZ Dome Camera with 25X Optical Zoom, PoE+, WDR, SD Card Slot, Smart Analytics and 150m IR Support	1
ENC-HPT5Z-150R-92 (With 4.8 ~ 120 mm Lens)	2MP Starlight IR IP H.265 PTZ Dome Camera with 25X Optical Zoom, PoE+, WDR, SD Card Slot, Smart Analytics and 150m IR Support	1
ENB-BFPW66	Wall Mount Bracket Norden for 4" PTZ Camera (Included in device package)	1
ENB-BTPH66	Outer Corner Bracket Norden for PTZ Camera	1
ENB-BTPV66	Pole Mount Bracket for Norden PTZ Camera	1
ENB-BTPP66	Pendant Mount Bracket for Norden PTZ Camera	1

PACKING INFORMATION

Part Number	Packing Mode	Gross weight(Kg)	Dimension(mm)
ENC-HPT5Z-150R-92	Carton Box	5.1	260x260x465