

# IP THERMAL BULLET CAMERA



## ENC-STBGF-00R-33

### FEATURES

640x512 Uncooled VOx Micro Bolometer detector

Sensitivity  $\leq 40$  mK

15 mm (Optional 9/25/35/50 mm) Fixed Thermal Lens

Area / Spot / Line Temperature Measurement Rule Support

17 Color Patterns Support

PoE, IP67



### SPECIFICATION

MODEL		ENC-STBGF-00R-33
Type		IP THERMAL BULLET CAMERA
THERMAL CAMERA	Detector Type	Uncooled VOx Micro Bolometer
	Max. Resolution	640x512 and Image can be scaled up to 1280x1024
	Pixel Size	12 $\mu$ m
	Thermal Sensitivity	$\leq 40$ mK
	Spectral Range	8 ~ 14 $\mu$ m
	Image Settings	Brightness, Sharpness, Contrast, 3D DNR, Mirror/Flip, FFC
Color Patterns		White & Black Hot, Ironbow, Rainbow etc. up to 17 modes
THERMAL LENS	Lens Type	Fixed
	Focus Control	Fixed Focus
	Digital Zoom	16x
	Focal Length	15 mm (Optional 9/25/35/50 mm)
	F No	F1.0
	Angle of View	9 mm: 48.0°(H), 38.0° (V) 15 mm: 29.0° (H), 23.0° (V) 25 mm: 17.0° (H), 14.0° (V) 35 mm: 12.0° (H), 10.0° (V) 50 mm: 8.0° (H), 7.0° (V)
	Detection	9 mm: Human(1.8mx0.5m) - 375 m, Vehicle(4.0mx1.5m) - 1150 m 15 mm: Human(1.8mx0.5m) - 625 m, Vehicle(4.0mx1.5m) - 1917 m 25 mm: Human(1.8mx0.5m) - 1042 m, Vehicle(4.0mx1.5m) - 3194 m 35 mm: Human(1.8mx0.5m) - 1458 m, Vehicle(4.0mx1.5m) - 4472 m 50 mm: Human(1.8mx0.5m) - 2083 m, Vehicle(4.0mx1.5m) - 6389 m
	Recognition	9 mm: Human(1.8mx0.5m) - 94 m, Vehicle(4.0mx1.5m) - 288 m 15 mm: Human(1.8mx0.5m) - 156 m, Vehicle(4.0mx1.5m) - 479 m 25 mm: Human(1.8mx0.5m) - 260 m, Vehicle(4.0mx1.5m) - 799 m 35 mm: Human(1.8mx0.5m) - 365 m, Vehicle(4.0mx1.5m) - 1118 m 50 mm: Human(1.8mx0.5m) - 521 m, Vehicle(4.0mx1.5m) - 1597 m
	Identification	9 mm: Human(1.8mx0.5m) - 47 m, Vehicle(4.0mx1.5m) - 144 m 15 mm: Human(1.8mx0.5m) - 78 m, Vehicle(4.0mx1.5m) - 240 m 25 mm: Human(1.8mx0.5m) - 130 m, Vehicle(4.0mx1.5m) - 399 m 35 mm: Human(1.8mx0.5m) - 182 m, Vehicle(4.0mx1.5m) - 559 m 50 mm: Human(1.8mx0.5m) - 260 m, Vehicle(4.0mx1.5m) - 799 m
	Fire Detection	9 mm: Fire(0.2mx0.2m) - 75 m, Fire (1.0mx1.0m) - 375 m 15 mm: Fire(0.2mx0.2m) - 125 m, Fire (1.0mx1.0m) - 625 m 25 mm: Fire(0.2mx0.2m) - 208 m, Fire (1.0mx1.0m) - 1042 m 35 mm: Fire(0.2mx0.2m) - 292 m, Fire (1.0mx1.0m) - 1458 m 50 mm: Fire(0.2mx0.2m) - 417 m, Fire (1.0mx1.0m) - 2083 m

★Product specification and availability are subject to change without notice.

# IP THERMAL BULLET CAMERA



## ENC-STBGF-00R-33

<b>MODEL</b>	<b>Model No.</b>	<b>ENC-STBGF-00R-33</b>
	Type	IP THERMAL BULLET CAMERA
<b>VIDEO</b>	Video Compression	Enhanced (H.265, H.264), H.265, H.264
	Frame Rate	Main Stream: (1280×1024, 1280×720, 640×512) @ 25fps Sub Stream: (704×576, 352×288) @ 25fps
	Bitrate Control	CBR, VBR
	Bit Rate	100 kbps ~ 8Mbps
	DVE Image Enhance	Supported
	OSD	Up to 8 regions
	OSD Type	Title, Week, Date, Time, Text with different colors and adaptable sizes (Small / Medium / Big), Image overlay
	ROI	Up to 8 regions
	Privacy Mask	Up to 4 regions
<b>AUDIO</b>	Audio Compression	G.711A, G.711U, RAW_PCM
	Audio Bitrate	64kbps, 128kbps
	Audio I/O	1/1
<b>SMART</b>	Behavior Detection	Intrusion (Perimeter), Crossline (Tripwire), Double Crossline (Double Tripwire)
	Intelligent Identification	Loitering, Region Entry / Exit Detection, Flame Point Detection, Smoking Detection
	Statistical Analysis	People Counting, Wrong Way Detection, Human and Vehicle Detection, Temperature Detection
	Alarm Management	Motion Detection, Disk Full Alarm, Temperature Alarm, Input / Output Alarm, Network Alarm
	Alarm Notification	E-mail (Notification and Snapshot), HTTP (Alarm Icon), FTP (Snapshot and Recording), SD Card (Recording)
<b>TEMPERATURE</b>	Detection Mode	Area, Spot, Line (Total 20 Rules - 1 Full Screen and 19 others)
	Alarm	Over / Difference Temperature Alarm
	Accuracy	±2°C / ±2%
	Response Time	≤30ms
	Measurement Range	-20°C ~ 150°C (-4°F ~ 302°F)
<b>INTERFACE</b>	Protocols	TCP/IP, UDP, IPv4, IPv6, ICMP, HTTP, HTTPS, FTP, DHCP, DNS, DDNS, RTP/RTCP, RTSP, PPPoE, NTP, UPnP, SMTP (SSL/TLS), IGMP, 802.1x, QoS, Unicast, Multicast, SNMP, ARP
	Security	AES 128/256 Video Encryption, IP Filter, User Authentication (Multiple Privilege Level), HTTPS Authentication, Digest Authentication, User Access Log
	Compatibility	ONVIF Profile (S, G, T, M), CGI/SDK
	Network	1x RJ45 10M/100M Self Adaptive Ethernet Port
	Serial Interface	1xRS485
	BNC	Supported
	Edge Storage	Micro SD Card Slot, up to 512 GB
	Alarm I/O	2/2
	Max. User	32
	Client Application	EyeGuard
	Power Supply	12V DC / 24 AC, PoE (IEEE 802.3af)
<b>GENERAL</b>	Max. Power consumption	≤5 W
	Working Temperature	-40 °C ~ 65 °C
	Working Humidity	≤95% RH
	Casing	Metal
	Ingress Protection	IP67
	Vandal Resistant	IK10 (Housing)
	Surge Protection	TVS4000V
	Reset Button	Supported
	Dimensions	Φ120.5x315.9 mm
	Weight	1.8 kg

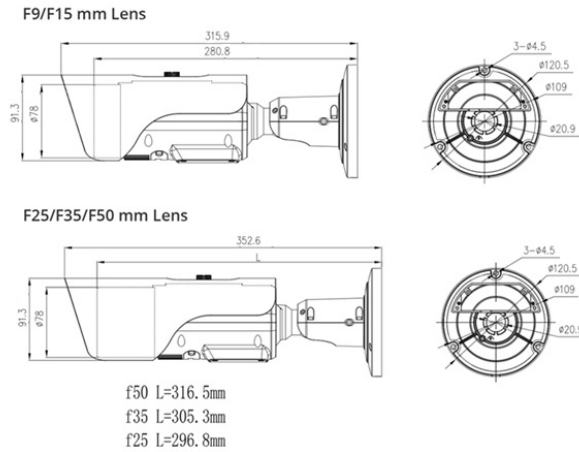
★Product specification and availability are subject to change without notice.

# IP THERMAL BULLET CAMERA



**ENC-STBGF-00R-33**

Dimension Unit : mm



## ORDERING INFORMATION

Part Number	Description	Standard Quantity
ENC-STBGF-00R-33	IP Temperature Detection Thermal Bullet Camera with 640*512 Thermal Resolution, 9 mm Fixed Thermal Lens, PoE and SD Card Slot Support	1
ENC-STBGF-00R-33	IP Temperature Detection Thermal Bullet Camera with 640*512 Thermal Resolution, 15 mm Fixed Thermal Lens, PoE and SD Card Slot Support	1
ENC-STBGF-00R-33	IP Temperature Detection Thermal Bullet Camera with 640*512 Thermal Resolution, 25 mm Fixed Thermal Lens, PoE and SD Card Slot Support	1
ENC-STBGF-00R-33	IP Temperature Detection Thermal Bullet Camera with 640*512 Thermal Resolution, 35 mm Fixed Thermal Lens, PoE and SD Card Slot Support	1
ENC-STBGF-00R-33	IP Temperature Detection Thermal Bullet Camera with 640*512 Thermal Resolution, 50 mm Fixed Thermal Lens, PoE and SD Card Slot Support	1
ENB-BCUV65	Pole Mount Bracket for Norden Thermal Bullet Camera	1
ENB-BCUJ67	Junction Box for Norden Thermal Bullet Camera	1
ENB-BCUH67	Corner Mount Bracket for Norden Thermal Bullet Camera	1

## PACKING INFORMATION

Part Number	Packing Mode	Gross weight(Kg)	Dimension(mm)
ENC-STBGF-00R-33	Carton Box	-	-

★Product specification and availability are subject to change without notice.