

FIBRE CONNECTOR

FIBRE CONNECTOR SPECIFICATION

FEATURES

Quick, easy installation.
 High quality Zirconia PC ferrule.
 900 micron, 2mm, 3mm cable applications.
 Telcordia-style strain and relief boot.

STANDARDS COMPLIANCE

UL-V0 flammability rating
 TIA/EIA-568-C.3 (Optical Fibre Cabling Components Standard)
 ANSI/TIA/EIA-455B (Standard Test Procedure for Standard Fibre Optic Fibres, Cables, Connecting & Terminating Devices)
 IPC-8497-1 (Cleaning Methods & Contamination Assessment for Optical Assembly)

DESIGN & MATERIALS

Connector Ferrule	Zirconia Ceramic with a pre-polished fibre stub		
Alignment Sleeve	Zirconia or Phosphor Bronze		
Connector Body	UL 94V-0 rated Thermoplastic		
Crimp Insert/Crimp Tube	Nickel-Plated Brass/Thermoplastic Elastomer Polymer		
Dust Cap	Nylon or PVC		
Strain Relief Boot	Flame retardant (UL-Rated 94-V0) polymer		
Connector Style	SC, FC, ST, LC, MTRJ, E2000		
Polish	PC, UPC & APC		
Ferrule Diameter	Single mode UPC	Single mode APC	Multimode
	125.0+1/-0µm, concentricity: ≤1.0µm	125.0+1/-0µm, concentricity: ≤0.5µm	127.0µm, concentricity: ≤3.0µm
	125.5+1/-0µm, concentricity: ≤1.0µm	125.5+1/-0µm, concentricity: ≤0.5µm	
	126.0+1/-0µm, concentricity: ≤1.0µm	126.0+1/-0µm, concentricity: ≤0.5µm	

ENVIRONMENTAL & MECHANICAL DATA

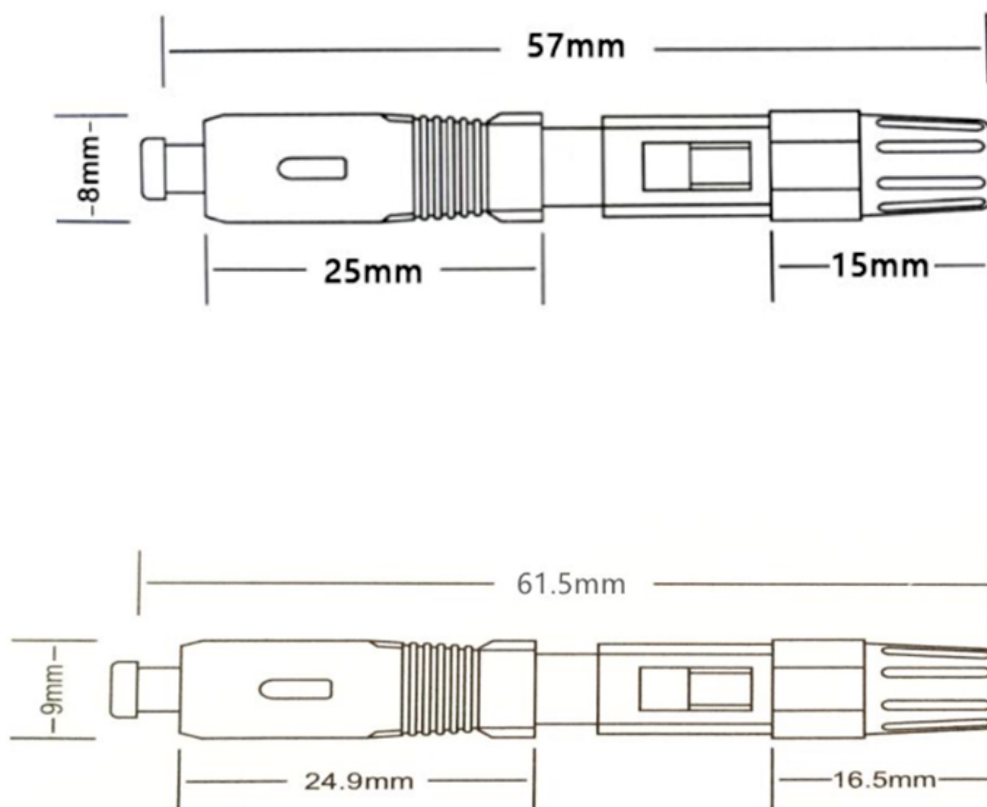
Operating Temperature	-40 °C to +85 °C
Storage Temperature	-40 °C to +85 °C
Type-1	
Temperature Cycling (61300-2-18)	-40 °C to +75 °C, 40 cycles=0.2 dB change
High Temperature (61300-2-18)	70° c for 96 Hrs, <0.4dB change
Damp Heat(61300-2-19)	40° C at 93 % RH for 96 Hrs, <0.4 dB change
Vibration-Mated Pair (61300-2-1)	10-55 Hz, 1.5 mm P to P <0.2 dB change
Mating Durability (61300-2-2)	500 Mating Cycles, clean every 25, <0.2 dB change
Operating Temperature	-40 °C to +85 °C
Type-2	
Twist test Condition	15N load, 5 cycles in a test
Pull test Condition	30N load, 120sec
Drop test Condition	At 1.5m, 10 repetitions
Durability test	Condition 200 repetition connecting/disconnecting
Vibrate test	Condition 3 axes 2hr/axis, 1.5mm(peak-peak), 10 to 55Hz(45Hz/min)
Thermal Aging Condition	+85°C±2°C, 96 hours
Humidity test Condition	90 to 95%RH, Temp75°C for 168hrs
Thermal Cycle Condition	-40 to 85°C, 21 cycles for 168 hours

FIBRE CONNECTOR

OPTICAL PERFORMANCE DATA

Item	Single mode		Multimode
	UPC	APC	
Insertion Loss/connector (Type 1&2)	$\leq 0.3\text{dB}$	$\leq 0.3\text{dB}$	$\leq 0.3\text{dB}$
Fiber retention force (Type 1&2)	$< 30\text{N}$ ($< 0.3\text{dB}$ with impressed pressure)		
Return Loss(Type -1)	$\geq 50\text{dB}$	$\geq 55\text{dB}$	$\geq 55\text{dB}$
Return Loss(Type -2)	Min. $>45\text{dB}$, Typ. $>55\text{dB}$	Min. $>55\text{dB}$, Typ. $>55\text{dB}$	$\geq 50\text{dB}$

Drawing



FIBRE CONNECTOR

FAST CONNECTOR

Norden fast connectors are factory pre-polished, field-installable connectors that completely eliminate the need for hand polishing in the field. These fast connectors are compatible with 0.9 mm tight buffer, 2 mm & 3 mm drop cable. This connector during the installation process does not require any adhesive and curing process. It is possible to rework so can be reduced the defect rate by worker's connection error.



COMPLIANCE

ANSI/TIA-568-C.3
ANSI/TIA-604-3 (SC), -10A(LC) Connector Interchangeability Standards.
Meets GR-326; General Requirements for Single Mode Connectors.

FEATURES

Easy assembly process
No polish, No epoxy required
Factory polishing eliminates loss concerns

APPLICATIONS

Intra-building backbone, LAN cross connects, LAN & WAN data transmission.
Direct equipment termination.

SPECIFICATIONS

Fibre Diameter	125 µm
Fibre Cable Type	2.0 mm, 3.0 mm drop cable & 0.9 mm Tight Buffer
Coupling Type	Snap, Push Pull Type
Tight Buffer Diameter	250 µm
Fibre Mode	Single Mode
Temperature	-40 °C to +85 °C
Colour	Green (APC), Blue (UPC)

ORDERING INFORMATION

Part Number	Description
Type-1	
37-SSC3	SC/APC Singlemode Fast Connector
37-SLC3	LC/APC Singlemode Fast Connector
37-SSC2	SC/UPC Singlemode Fast Connector
37-SLC2	LC/UPC Singlemode Fast Connector
37-MLC1	LC/PC Multimode Fast Connector- Simplex
37-DLC1	LC/PC Multimode Fast Connector- Duplex
Type-2	
37-SSC32	SC/APC Single Mode Fast Connector, 61.5mm
37-SLC32	LC/APC Single Mode Fast Connector, 61.5mm