

# 5MP CORROSION PROOF PTZ CAMERA



## ENC-HPT8Z-200R-28

### FEATURES

316L Stainless Steel Construction

30X Optical Zoom, 16X Digital Zoom

ONVIF Profile (S, G, T)

Quad Stream

Audio and Alarm Support

Wiper Support

IP68



### SPECIFICATION

MODEL	Model No.	ENC-HPT8Z-200R-28
	Type	5MP CORROSION PROOF PTZ CAMERA
CAMERA	Image Sensor	1/2.8" CMOS Progressive 5.0 MegaPixel
	Day / Night	IR Cut Filter with Auto Switch
	Lens Type	Motorized Lens
	Focal Length	4.5 ~ 135 mm (Optional 4.3 ~ 129 mm)
	Focus	Auto / Semi Auto / Manual
	Iris Type	P Iris (Optional DC Auto Iris), Auto/ Manual
	Angle of View (H)	60.7° ~ 2.2° (Optional 63.0° ~ 2.3°)
	Angle of View (V)	34.2° ~ 1.2° (Optional 37.0° ~ 1.2°)
	Angle of View (D)	69.7° ~ 2.5° (Optional 73.0° ~ 2.5°)
	Aperture Range	F1.6 ~ F4.3
	Optical Zoom	30X
	Digital Zoom	16X
	Electronic Shutter	1s ~ 1/100000s, Auto / Manual
	Min. Illumination	Color: 0.001 lux @ F1.6, B/W: 0.007 lux @ F1.6, 0 lux with IR on
	AGC	Auto / Manual
	Digital Noise Reduction	2D & 3D DNR, Auto/Manual
S/N Ratio	≥55 dB	
Defog	Smart Defog	
WDR	120 dB	
Smart IR	Up to 200m	

★Product specification and availability are subject to change without notice.

# 5MP CORROSION PROOF PTZ CAMERA



## ENC-HPT8Z-200R-28

MODEL	Model No.	ENC-HPT8Z-200R-28
	Type	5MP CORROSION PROOF PTZ CAMERA
DORI	Lens	4.5 ~ 135 mm (Optional 4.3 ~ 129 mm)
	Detection	95.5 ~ 2698.7 m (Optional 91.7 ~ 2581.9 m)
	Observation	37.8 ~ 1088.5 m (Optional 35.7 ~ 1040.9 m)
	Recognition	18.0 ~ 539.8 m (Optional 16.8 ~ 516.3 m)
	Identification	7.8 ~ 269.9 m (Optional 7.3 ~ 258.1 m)
VIDEO	Max. Resolution	2592x1944
	Video Compression	Enhanced (H.265, H.264), H.265, H.264, MJPEG
	Frame Rate	Main Stream: (2592x1944, 2592x1520) @ 25/30 fps, (1920x1080, 1280x720) @ 50/60fps Sub Stream: (1920x1080, 1280x720, 704x576, 640x480) @ 25/30fps Third Stream: (640x480, 352x288, 320x240, 176x144) @ 25/30fps Fourth Stream: (640x480, 352x288, 320x240, 176x144) @ 25/30fps (Optional)
	Stream Settings	i-Frame, PAL/NTSC, Frame Rate
	EIS	Supported
	Video Bit Rate	100 Kbps ~ 12 Mbps
	Bitrate Type	CBR, VBR
	Image Settings	Brightness, Contrast, Saturation, Sharpness, Day/Night (Color, Mono, Auto), Flip/Mirror/Rotation, Multiple Scene & Profile
	White Balance	Auto, Day/Night, Tungsten, Fluorescent, Shadow, Manual
	HLC	Supported
	BLC	Supported
	OSD	Up to 8 regions
	OSD Type	Title, Week, Date, Time, Text with different colors and adaptable sizes, Image overlay
	ROI	Up to 8 regions
	Privacy Mask	Up to 40 regions ( each scene up to 8 )
AUDIO	Audio Compression	G.711U, G.711A, RAW_PCM
	Audio Bit Rate	64Kbps, 128Kbps
	Audio I/O	1/1
SMART	Behavior Detection	Intrusion (Perimeter), Crossline (Tripwire), Double crossline ( Double Tripwire)
	Intelligent Identification	Abandoned object (Object Left), Missing Object (Object Lost), Loitering, Multi Loitering
	Statistical Analysis	Face Detection , People Counting, Human & Vehicle Detection, Abnormal Video & Audio Detection, Wrong Way Detection, Illegal Parking, Tampering / Masking / Scene Change, Abnormal Speed
	Alarm Management	Motion Detection, Tampering (Masking), Input & Output Event, Network Alarm, Disk Alarm, Day Night Switch Alarm, Abnormal Audio Alarm, Pre/Post Alarm Recording, Alarm Recording/Snapshot
	Alarm Notifications	E-mail (Notification & Snapshot), HTTP (Alarm icon), FTP (Snapshot & Recording ), SD Card (Recording)
Auto Tracking	Supported	
INTERFACE	Protocols	TCP/IP, UDP, IPv4, IPv6, ICMP, HTTP, HTTPS, FTP, DHCP, DNS, DDNS, RTP, RTSP, RTCP, PPPoE, NTP, UPnP, SMTP , IGMP, 802.1X, Unicast, Multicast, QoS, ARP, SNMP, SSL/TLS1.2
	Security	AES 128/256 Encryption, IP Filter, User Authentication (Multiple Privilege Level), 802.1X Authentication (EAP-MD5), HTTPS Authentication, RTSP Authentication, Digest Authentication, User Access Log
	Compatibility	ONVIF Profile (S, G, T) , SDK, CGI
	Network	1 x RJ45 10M/100M Self Adaptive Ethernet Port
	Alarm I/O	2/2 (Customizable)
	Serial Interface	1xRS485
	Edge Storage	Micro SD Card Slot, up to 512 GB
	ANR	Supported
	Built-in Heater	Supported
	Wiper	Supported
	Remote Connection	≤10
	Web Language	15
Max. User	32	
Client Application	Eye Guard	

★Product specification and availability are subject to change without notice.

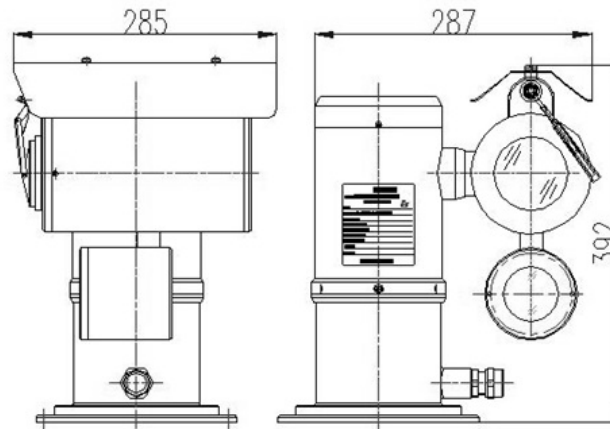
# 5MP CORROSION PROOF PTZ CAMERA



## ENC-HPT8Z-200R-28

MODEL		ENC-HPT8Z-200R-28
Type		5MP CORROSION PROOF PTZ CAMERA
PAN AND TILT	Pan Range	360°(Endless)
	Pan Speed	Pan Manual Speed: 0.1°/s ~ 45°/s, Pan Preset Speed: 45°/s
	Tilt Range	-90 ~ +90°
	Tilt Speed	Tilt Manual Speed: 0.1°/s ~ 45°/s, Tilt Preset Speed: 45°/s
	Preset Accuracy	±0.1°
	3D Position	Supported
	Cruise Scan	Supported
	Tour	12 (32 Preset per Tour)
	Pattern	6
	Preset	255
	Resume Function	Supported
GENERAL	Power Supply	110V ~ 240V AC (Optional 24V AC, 24V DC)
	Power Consumption	≤70W (with thermostat)
	Working Temperature	-40 °C ~ 70 °C
	Working Humidity	≤95% RH (non-condensing)
	Atmospheric Pressure	80 kPa ~ 106 kPa
	Window Glass	Strong Tempered Glass
	Sun Shade	Supported
	Ingress Protection	IP68
	Corrosion Resistant	Sprayed with Oxygen, Hydrogen Sulphide, Carbon Dioxide and Nitrogen
	Surge Protection	TVS6000V
	Reset Button	Supported
Dimensions	392x285x287 mm	
Net Weight	35 kg	

Dimension Unit : mm



# 5MP CORROSION PROOF PTZ CAMERA



## ENC-HPT8Z-200R-28

### ORDERING INFORMATION

Part Number	Description	Standard Quantity
ENC-HPT8Z-200R-28 (With SS316L, 4.5 ~ 135 mm Lens, P Iris and 110 ~ 240V AC)	5MP SS316L 60fps Corrosion Proof IR IP H.265 PTZ Camera with 30X Optical Zoom, Wiper, SD Card Slot and 200m IR Support	1
ENC-HPT8Z-200R-28 (With SS316L, 4.5 ~ 135 mm Lens, DC Iris and 110 ~ 240V AC)	5MP SS316L 60fps Corrosion Proof IR IP H.265 PTZ Camera with 30X Optical Zoom, Wiper, SD Card Slot and 200m IR Support	1
ENC-HPT8Z-200R-28 (With SS316L, 4.3 ~ 129 mm Lens, P Iris and 110 ~ 240V AC)	5MP SS316L 60fps Corrosion Proof IR IP H.265 PTZ Camera with 30X Optical Zoom, Wiper, SD Card Slot and 200m IR Support	1
ENC-HPT8Z-200R-28 (With SS316L, 4.3 ~ 129 mm Lens, DC Iris and 110 ~ 240V AC)	5MP SS316L 60fps Corrosion Proof IR IP H.265 PTZ Camera with 30X Optical Zoom, Wiper, SD Card Slot and 200m IR Support	1
ENC-HPT8Z-200R-28 (With SS316L, 4.5 ~ 135 mm Lens, P Iris and 24V AC)	5MP SS316L 60fps Corrosion Proof IR IP H.265 PTZ Camera with 30X Optical Zoom, Wiper, SD Card Slot and 200m IR Support	1
ENC-HPT8Z-200R-28 (With SS316L, 4.5 ~ 135 mm Lens, DC Iris and 24V AC)	5MP SS316L 60fps Corrosion Proof IR IP H.265 PTZ Camera with 30X Optical Zoom, Wiper, SD Card Slot and 200m IR Support	1
ENC-HPT8Z-200R-28 (With SS316L, 4.3 ~ 129 mm Lens, P Iris and 24V AC)	5MP SS316L 60fps Corrosion Proof IR IP H.265 PTZ Camera with 30X Optical Zoom, Wiper, SD Card Slot and 200m IR Support	1
ENC-HPT8Z-200R-28 (With SS316L, 4.3 ~ 129 mm Lens, DC Iris and 24V AC)	5MP SS316L 60fps Corrosion Proof IR IP H.265 PTZ Camera with 30X Optical Zoom, Wiper, SD Card Slot and 200m IR Support	1
ENC-HPT8Z-200R-28 (With SS316L, 4.5 ~ 135 mm Lens, P Iris and 24V DC)	5MP SS316L 60fps Corrosion Proof IR IP H.265 PTZ Camera with 30X Optical Zoom, Wiper, SD Card Slot and 200m IR Support	1
ENC-HPT8Z-200R-28 (With SS316L, 4.5 ~ 135 mm Lens, DC Iris and 24V DC)	5MP SS316L 60fps Corrosion Proof IR IP H.265 PTZ Camera with 30X Optical Zoom, Wiper, SD Card Slot and 200m IR Support	1
ENC-HPT8Z-200R-28 (With SS316L, 4.3 ~ 129 mm Lens, P Iris and 24V DC)	5MP SS316L 60fps Corrosion Proof IR IP H.265 PTZ Camera with 30X Optical Zoom, Wiper, SD Card Slot and 200m IR Support	1
ENC-HPT8Z-200R-28 (With SS316L, 4.3 ~ 129 mm Lens, DC Iris and 24V DC)	5MP SS316L 60fps Corrosion Proof IR IP H.265 PTZ Camera with 30X Optical Zoom, Wiper, SD Card Slot and 200m IR Support	1
ENB-BZPW68	Wall Mount Bracket for Norden Corrosion PTZ Camera	1
ENB-BZPH68	Corner Mount Bracket for Norden Corrosion Proof PTZ Camera	1
ENB-BZPV68	Pole Mount Bracket for Norden Corrosion Proof PTZ Camera	1
ENA-EXH010	1 Meter Corrosion Proof Hose for Norden Corrosion Proof Camera	1
ENA-EXH015	1.5 Meter Corrosion Proof Hose for Norden Corrosion Proof Camera	1
ENA-EXH020	2 Meter Corrosion Proof Hose for Norden Corrosion Proof Camera	1

### PACKING INFORMATION

Part Number	Packing Mode	Gross weight(Kg)	Dimension(mm)
ENC-HPT8Z-200R-28	Carton Box	-	-

★Product specification and availability are subject to change without notice.