

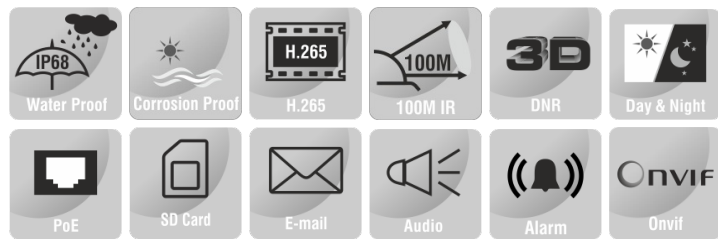
5MP CORROSION PROOF BULLET CAMERA



ENC-HBU8M-100R-27

FEATURES

| |
|-----------------------------------|
| Starlight Illumination |
| 316L Stainless steel construction |
| 2.7~13.5 mm Motorized Lens |
| Smart IR up to 100 m |
| ONVIF Profile (S, G, T, M) |
| Triple Stream |
| Audio and Alarm Support |
| PoE+, IP68 |



SPECIFICATION

| MODEL | Model No. | ENC-HBU8M-100R-27 |
|-------------------------|--------------------|---|
| | Type | 5MP CORROSION PROOF BULLET CAMERA |
| CAMERA | Image Sensor | 1/2.8" CMOS Progressive 5.0 MegaPixel |
| | Day / Night | IR Cut Filter with Auto Switch |
| | Lens Type | Motorized |
| | Focal Length | 2.7~13.5 mm |
| | Focus | Auto / Manual |
| | Iris | DC Auto Iris |
| | Lens Mount | Φ14 |
| | Angle of View (H) | 94.2° ~ 29.3° |
| | Angle of View (V) | 70.3° ~ 22.0° |
| | Angle of View (D) | 120.0° ~ 36.6° |
| | Angle Adjustment | Bracket; Pan: 0~360°, Tilt: 0~75°, Rotate: 0~360° |
| | Aperture Range | F1.6 ~ F3.3 |
| | Electronic Shutter | 1s ~ 1/100,000s Auto/Manual |
| | Min. Illumination | Color: 0.001 lux @ F1.6, B/W: 0 lux with IR on |
| | AGC | Auto / Manual |
| Digital Noise Reduction | 3D DNR | |
| S/N Ratio | ≥60 dB | |
| Defog | Smart Defog | |
| WDR | 120 dB | |
| Smart IR | Up to 100 m | |
| Wavelength | 850 nm | |

★Product specification and availability are subject to change without notice.

5MP CORROSION PROOF BULLET CAMERA



ENC-HBU8M-100R-27

| | | |
|--------------------|----------------------------|---|
| MODEL | Model No. | ENC-HBU8M-100R-27 |
| | Type | 5MP CORROSION PROOF BULLET CAMERA |
| DORI | Lens | 2.7 ~ 13.5 mm |
| | Detection | 56.0 ~ 240.0 m |
| | Observation | 22.0 ~ 95.0 m |
| | Recognition | 11.0 ~ 48.0 m |
| | Identification | 5.6 ~ 24.0 m |
| VIDEO | Max. Resolution | 2592x1944 |
| | Video Compression | H.265+, H.265, H.264, MJPEG |
| | Frame Rate | Main Stream: (2592x1944, 2592x1520, 2560x1440, 2304x1296) @ 25 / 30fps, (1920x1080, 1280x720) @ 50 /60fps Sub Stream: (704x480, 704x240, 640x360, 352x240) @ 30fps, (704x576, 704x288, 640x360, 352x288) @ 25fps Third Stream: (1920x1080, 1280x720, 640x360, 704x480, 704x240, 352x240) @ 30fps, (1920x1080, 1280x720, 640x360, 704x576, 704x288, 352x288) @ 25fps |
| | Stream Settings | i-Frame, PAL/NTSC, Frame Rate |
| | EIS | Supported |
| | Video Bit Rate | 32 kbps ~ 16 Mbps |
| | Bitrate Type | CBR, VBR |
| | Image Settings | Brightness, Contrast, Saturation, Hue, Sharpness, Rotation/Mirror, Gain, Exposure, Day/Night |
| | White Balance | Auto, Semi Auto, Sunshine, Daylight, Warm Light, Filament, Nature Light, Lock WB, Manual |
| | Corridor Mode | Supported |
| | HLC | Supported |
| | BLC | Supported |
| | OSD | Up to 8 regions |
| | OSD Type | Title, Week, Date, Time, Text with different colors and adaptable sizes (16x16, 32x32, 48x48, 64x64, 96x96), Image overlay |
| | ROI | Up to 8 regions |
| Privacy Mask | Up to 4 regions | |
| AUDIO | Audio Compression | G.711A, G.711U, ADPCM_D, AAC_LC |
| | Audio Bit Rate | 8 kbps ~ 48 kbps |
| | Audio I/O | 1/1 |
| | Audio Voltage | Input: Level 5V, Input Impedance 1500 ohms Output: Level 3V, Output Impedance 100 ohms |
| SMART | Behavior Detection | Intrusion (Perimeter), Crossline (Tripwire), Double Crossline (Double Tripwire) |
| | Intelligent Identification | Loitering, Running, Abandoned Object (Object Left), Missing Object (Object Lost), Parking |
| | Statistical Analysis | Face Detection (Capture), People Counting, Crowd Detection, On Duty Detection, Helmet Detection, Human & Vehicle Classification, Abnormal Video & Audio Detection |
| | Alarm Management | Motion Detection, Tampering (Masking), Input & Output Event, IP & MAC Address Conflict, Disk Alarm (Full & R/W Error), FTP Server Exception, Abnormal Voltage, Pre/Post Alarm Recording, Alarm Recording/Snapshot |
| INTERFACE | Protocols | TCP/IP, UDP, IPv4, IPv6, ICMP, HTTP, HTTPS, FTP, NFS, DHCP, DNS, DDNS, RTP, RTSP, RTCP, RTMP, PPPoE, NTP, UPnP, SMTP (SSL/TLS), IGMP, 802.1X, QoS (DSCP), Unicast, Multicast, ARP, SNMP, SSL, SFTP, P2P |
| | Security | AES 128 Video Encryption, IP Filter, User Authentication (Multiple Privilege Level), 802.1X Authentication (EAP-MD5), HTTPS Authentication, Digest Authentication, User Access Log |
| | Compatibility | ONVIF Profile (S, G, T, M), SDK/API/CGI |
| | Network | 1 x RJ45 10M/100M Self Adaptive Ethernet Port |
| | Alarm I/O | 2/1 (Customizable) |
| | Alarm Voltage | Input (switch type) , Output (3.3V-12V, 10 ohm) |
| | Serial Interface | 1xRS485 |
| | Edge Storage | Micro SD Card Slot, up to 512 GB |
| | ANR | Supported |
| | Built-in Heater | Supported |
| | Built-in Fan | Supported |
| | Cable Interface | Pig Tail |
| | Remote Connection | ≤7 |
| Web Language | 15 | |
| Client Application | Eye Connect | |

★Product specification and availability are subject to change without notice.

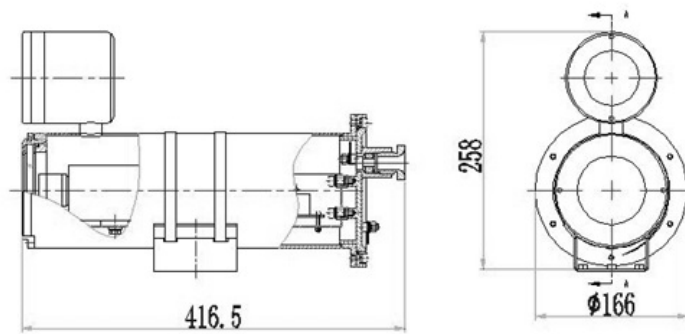
5MP CORROSION PROOF BULLET CAMERA



ENC-HBU8M-100R-27

| MODEL | Model No. | ENC-HBU8M-100R-27 |
|------------|----------------------|---|
| | Type | 5MP CORROSION PROOF BULLET CAMERA |
| GENERAL | Power Supply | 110V ~ 240V AC (Optional 24V DC, 24V AC, PoE+ (802.3at-Type 2)) |
| | Power Consumption | 25W |
| | Working Temperature | -40 °C ~ 70 °C |
| | Working Humidity | ≤95% RH |
| | Atmospheric Pressure | 80 kPa ~ 106 kPa |
| | Window Glass | Strong Tempered Glass |
| | Surge Protection | Supported |
| | Ingress Protection | IP68 |
| | Corrosion Resistant | Sprayed with Oxygen, Hydrogen Sulphide, Carbon Dioxide and Nitrogen |
| | Reset Button | Supported |
| | Dimensions | 416.5x166x258 mm |
| Net Weight | 12 kg | |

Dimension Unit : mm



5MP CORROSION PROOF BULLET CAMERA



ENC-HBU8M-100R-27

ORDERING INFORMATION

| Part Number | Description | Standard Quantity |
|--|--|-------------------|
| ENC-HBU8M-100R-27 (With SS316L, 2.7 to 13.5m Lens and 110 ~ 240V AC) | 5MP SS316L Corrosion Proof IR IP H.265 Bullet Camera with 2.7 to 13.5mm Motorized Lens, SD Card Slot, WDR, Smart Analytics and 100m IR Support | 1 |
| ENC-HBU8M-100R-27 (With SS316L, 2.7 to 13.5m Lens and 24V DC) | 5MP SS316L Corrosion Proof IR IP H.265 Bullet Camera with 2.7 to 13.5mm Motorized Lens, SD Card Slot, WDR, Smart Analytics and 100m IR Support | 1 |
| ENC-HBU8M-100R-27 (With SS316L, 2.7 to 13.5m Lens and 24V AC) | 5MP SS316L Corrosion Proof IR IP H.265 Bullet Camera with 2.7 to 13.5mm Motorized Lens, SD Card Slot, WDR, Smart Analytics and 100m IR Support | 1 |
| ENC-HBU8M-100R-27 (With SS316L, 2.7 to 13.5m Lens and PoE+ (802.3at-Type 2)) | 5MP SS316L Corrosion Proof IR IP H.265 Bullet Camera with 2.7 to 13.5mm Motorized Lens, PoE+, SD Card Slot, WDR, Smart Analytics and 100m IR Support | 1 |
| ENB-BZUW68 | Wall Mount Bracket for Norden Corrosion Proof Bullet Camera | 1 |
| ENB-BZUH68 | Corner Mount Bracket for Norden Corrosion Proof Bullet Camera | 1 |
| ENB-BZUV68 | Pole Mount Bracket for Norden Corrosion Proof Bullet Camera | 1 |
| ENA-EXH010 | 1 Meter Corrosion Proof Hose for Norden Corrosion Proof Camera | 1 |
| ENA-EXH015 | 1.5 Meter Corrosion Proof Hose for Norden Corrosion Proof Camera | 1 |
| ENA-EXH020 | 2 Meter Corrosion Proof Hose for Norden Corrosion Proof Camera | 1 |

PACKING INFORMATION

| Part Number | Packing Mode | Gross weight(Kg) | Dimension(mm) |
|-------------------|--------------|------------------|---------------|
| ENC-HBU8M-100R-27 | Carton Box | - | - |

★Product specification and availability are subject to change without notice.