

5MP PTZ DOME CAMERA



ENC-HHP8Z-180R-94

FEATURES

- Starlight Illumination
- 30X Optical Zoom
- 16X Digital Zoom
- Smart IR up to 180 m (Upgradable to 200 m)
- ONVIF Profile (S, G, T, M)
- Triple Stream
- Audio and Alarm Support
- PoE++, IP67



SPECIFICATION

| MODEL | Model No. | ENC-HHP8Z-180R-94 |
|-----------------------|-----------------------------------|---------------------------------------------|
| | Type | 5MP PTZ DOME CAMERA |
| CAMERA | Image Sensor | 1/2.7" CMOS Progressive 5.0 MegaPixel |
| | Day / Night | IR Cut Filter with Auto Switch |
| | Lens Type | Motorized Zoom Lens |
| | Focal Length | 4.5 ~ 135 mm (Optional 4.7 ~ 141 mm) |
| | Iris Type | P-Iris, Auto |
| | Angle of View (H) | 62.6° ~ 2.3° (Optional 61.9° ~ 2.5°) |
| | Angle of View (V) | 48.4° ~ 1.7° (Optional 35.5° ~ 1.4°) |
| | Angle of View (D) | 80.0° ~ 2.9° (Optional 69.1° ~ 2.8°) |
| | Aperture | F1.6 ~ F4.3 |
| | Optical Zoom | 30X |
| | Digital Zoom | 16X |
| | Zoom Speed | <5s |
| | Electronic Shutter | 1s ~ 1/100,000s, Auto/Manual |
| | Min. Illumination | Color: 0.001 lux @ F1.5, B/W: 0 lux with IR |
| | AGC | Auto / Manual |
| | Digital Noise Reduction | 3D DNR |
| | S/N Ratio | ≥60 dB |
| Defog | Smart Defog | |
| WDR | 120dB | |
| Smart IR | Up to 180 m (Upgradable to 200 m) | |
| IR LEDs | 10 | |
| Illumination Distance | Up to 30 m | |
| White LEDs | 4 | |
| Wavelength | 850 nm | |

★Product specification and availability are subject to change without notice.

5MP PTZ DOME CAMERA



ENC-HHP8Z-180R-94

| MODEL | Model No. | ENC-HHP8Z-180R-94 |
|--------------------|----------------------------|-----------------------------------------------------------------------------------------------------------------------------------------------------------------------------------------------------------------------------------------------------------------------------------------------------------------------------------------------------------------------|
| | Type | 5MP PTZ DOME CAMERA |
| DORI | Lens | 4.5 ~ 135 mm (Optional 4.7 ~ 141 mm Lens) |
| | Detection | 191.4 ~ 2551.0 m (Optional 95.0 ~ 2600.0 m) |
| | Observation | 36.0 ~ 1028.2 m (Optional 37.2 ~ 1031.0 m) |
| | Recognition | 17.2 ~ 510.0 m (Optional 18.0 ~ 520.0 m) |
| | Identification | 7.6 ~ 255.0 m (Optional 8.0 ~ 260.0 m) |
| VIDEO | Max. Resolution | 2880x1620 |
| | Video Compression | Enhanced (H.265, H.264), H.265, H.264, MJPEG |
| | Frame Rate | Main Stream: (2880x1620, 2688x1520, 2560x1440, 2304x1296, 1920x1080, 1280x960, 1280x720) @ 25/30fps Sub Stream: (704x480, 704x240, 640x360, 352x240) @ 30fps, (704x576, 704x288, 640x360, 352x288) @ 25fps Third Stream: (1920x1080, 1280x960, 1280x720, 704x480, 640x480, 352x240) @ 30fps, (1920x1080, 1280x960, 1280x720, 704x576, 640x480, 352x288) @ 25fps |
| | Stream Settings | i-Frame, PAL/NTSC, Frame Rate, SVC |
| | EIS | Supported |
| | Video Bit Rate | 32 kbps ~ 16 Mbps |
| | Bitrate Type | CBR, VBR |
| | Image Settings | Brightness, Contrast, Saturation, Hue, Sharpness, Rotation/Mirror, Gain, Exposure, Day/Night |
| | White Balance | Auto, Semi Auto, Sunshine, Daylight, Warm Light, Filament, Nature Light, Lock WB, Manual |
| | HLC | Supported |
| | BLC | Supported |
| | OSD | Up to 5 regions |
| | OSD Type | Title, Week, Date, Time, Text with different colors and adaptable sizes (16x16, 24x24, 32x32, 48x48, 64x64, 96x96), Image overlay |
| | ROI | Up to 7 regions |
| | Privacy Mask | Up to 24 regions |
| Heatmap | Supported | |
| AUDIO | Audio Compression | G.711A, G.711U, ADPCM_D, AAC_LC |
| | Audio Bit Rate | 8 kbps, 32 kbps, 48 kbps |
| | Audio I/O | 1/1 |
| | Audio Voltage | Audio input, level 2.0~2.4Vp-p, Input Impedance 1 Kohms; Audio output Impedance 600 ohms |
| SMART | Behavior Detection | Intrusion (Perimeter), Crossline (Tripwire), Double Crossline (Double Tripwire) |
| | Intelligent Identification | Loitering, Running, Abandoned Object (Object Left), Missing Object(Object Left), Parking |
| | Statistical Analysis | Early Warning, Face Detection (Capture), People Counting, Crowd Detection, On Duty Detection, Helmet Detection, Human & Vehicle Classification, Abnormal Video & Audio Detection |
| | Alarm Management | Motion Detection, Tampering (Masking), Input & Output Event, IP & MAC Address Conflict, Disk Alarm (Full & R/W Error), FTP Server Exception, Abnormal Voltage, Pre/Post Alarm Recording, Alarm Recording/Snapshot |
| | Alarm Notification | E-mail (Notification and Snapshot), HTTP (Alarm Icon), FTP (Snapshot and Recording), SD Card (Recording) |
| | Auto Tracking | Supported |
| INTERFACE | Protocols | TCP/IP, UDP, IPv4, IPv6, ICMP, IGMP, HTTP, HTTPS, FTP, DHCP, DNS, DDNS, RTP, RTSP, RTCP, RTMP, PPPoE, NTP, UPnP, SMTP, SSL, TLS1.2, QoS, Unicast, Multicast, ARP, SNMP, P2P |
| | Security | AES 128 Video Encryption, IP Filter, User authentication (multiple privilege level), 802.1X authentication (EAP-MD5), Digest authentication, User Access Log |
| | Compatibility | ONVIF Profile (S, G, T, M), SDK/API/CGI |
| | Network | 1 x RJ45 10M/100M Self Adaptive Ethernet Port |
| | Alarm Interface | 8/2 |
| | Alarm Voltage | Input (switch type), Output ($\leq 24V$ DC, Current ≤ 1 A) |
| | Serial Interface | 1 x RS485 |
| | Edge Storage | Micro SD Card Slot, Up to 512 GB |
| | ANR | Supported |
| | Built-in Speaker | Supported |
| | Heater | Supported (Optional) |
| | Fan | Supported |
| | Cable Interface | Pig Tail |
| | Remote Connection | ≤ 7 |
| Web Language | 15 | |
| Wiper | Supported | |
| Client Application | EyeConnect | |

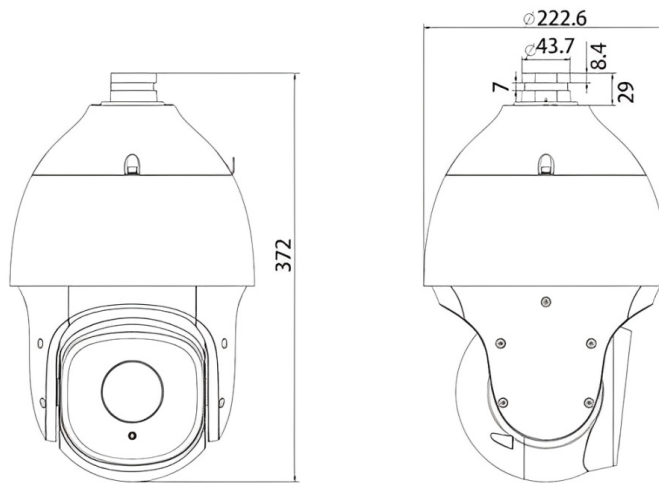
5MP PTZ DOME CAMERA



ENC-HHP8Z-180R-94

| MODEL | | ENC-HHP8Z-180R-94 |
|--------------|------------------------|---------------------------------------------------------------|
| Type | | 5MP PTZ DOME CAMERA |
| PAN AND TILT | Pan Range | 0° ~ 360° (Endless) |
| | Pan Speed | Pan Manual Speed: 0.1°/s ~ 240°/s, Pan Preset Speed: 300°/s |
| | Tilt Range | -16° ~ 90° (Auto flip) |
| | Tilt Speed | Tilt Manual Speed: 0.1°/s ~ 180°/s, Tilt Preset Speed: 240°/s |
| | Preset Accuracy | ±0.4° |
| | Number of Preset | 500 |
| | 3D Position | Supported |
| | Power off Recovery | Supported |
| | PTZ Mode | 8 Scan, 16 Tour (32 presets per Tour) |
| | Pattern | 8 |
| GENERAL | Power Supply | 24V AC, PoE++ (IEEE 802.3bt) |
| | Max. Power Consumption | ≤42 W (IR ON), ≤18 W (IR OFF) |
| | Working Temperature | -40 °C ~ 70 °C |
| | Working Humidity | ≤95% RH (non-condensing) |
| | Ingress Protection | IP67 |
| | Vandal Resistant | IK10 (Housing) |
| | Surge Protection | TVS6000V |
| | Reset Button | Supported |
| | Dimensions | Φ222.6×372 mm |
| | Net Weight | 5.3 kg |

Dimension Unit : mm



5MP PTZ DOME CAMERA



ENC-HHP8Z-180R-94

ORDERING INFORMATION

| Part Number | Description | Standard Quantity |
|-------------------|---------------------------------------------------------------------------------------------------------------------------------------------------------------------------------|-------------------|
| ENC-HHP8Z-180R-94 | 5MP Starlight IR IP H.265 PTZ Dome Camera with 30X Optical Zoom, Hi-PoE, Micro SD Card Slot, Smart Analytics, WDR , Built-in Speaker and 180 m (Upgradable to 200 m) IR Support | 1 |
| ENB-BTPW66 | Wall Mount Bracket for Norden PTZ Camera | 1 |
| ENB-BTPH66 | Outer Corner Bracket for Norden PTZ Camera | 1 |
| ENB-BTPV66 | Pole Mount Bracket for Norden PTZ Camera | 1 |
| ENB-BTPJ66 | Junction Box for Norden PTZ Camera | 1 |
| ENB-BTPP66 | Pendant Mount Bracket for Norden PTZ Camera | 1 |

PACKING INFORMATION

| Part Number | Packing Mode | Gross weight(Kg) | Dimension(mm) |
|-------------------|--------------|------------------|---------------|
| ENC-HHP8Z-180R-94 | Carton Box | 8.4 | 320x320x520 |