

2MP PTZ DOME CAMERA



ENV-HPT5Z-150R-90

FEATURES

- 25X Optical Zoom
- Smart IR up to 150 m
- ONVIF Profile (S, G, T, M)
- Triple Stream
- Audio and Alarm Support
- PoE+, IP67



SPECIFICATION

MODEL	Model No.	ENV-HPT5Z-150R-90
	Type	2MP PTZ DOME CAMERA
CAMERA	Image Sensor	1/2.8" CMOS Progressive 2.0 MegaPixel
	Day / Night	Dual IR Cut Filter with Auto Switch
	Lens Type	Motorized Zoom Lens
	Focal Length	4.5 ~ 112.5 mm (Optional 4.8 ~ 120 mm)
	Focus	Auto / Semi Auto / Manual
	Iris Type	P-Iris, Auto
	Angle of View (H)	64.4° ~ 2.7° (Optional 58.5° ~ 2.8°)
	Angle of View (V)	41.8° ~ 1.7° (Optional 33.2° ~ 1.5°)
	Angle of View (D)	76.5° ~ 3.2° (Optional 67.2° ~ 3.1°)
	Aperture	F1.5 ~ F3.8
	Optical Zoom	25X
	Digital Zoom	16X
	Zoom Speed	<5s
	Electronic Shutter	1s ~ 1/100,000s, Auto/Manual
	Min. Illumination	Color: 0.001 lux @ F1.5, B/W: 0 Lux with IR
	AGC	Auto / Manual
Digital Noise Reduction	2D & 3D DNR, Auto / Manual	
S/N Ratio	≥60 dB	
Defog	Smart Defog	
WDR	140 dB	
Smart IR	Up to 150 m	
IR LEDs	6	
Wavelength	850 nm	

★Product specification and availability are subject to change without notice.

2MP PTZ DOME CAMERA



ENV-HPT5Z-150R-90

MODEL	Model No.	ENV-HPT5Z-150R-90
	Type	2MP PTZ DOME CAMERA
DORI	Lens	4.5 ~ 112.5 mm (Optional 4.8 ~ 120 mm)
	Detection	68.2 ~ 1630.0 m (Optional 72.5 ~ 1759 m)
	Observation	26.7 ~ 657.0 m (Optional 28.6 ~ 709.7 m)
	Recognition	13.7 ~ 325.8 m (Optional 13.5 ~ 352.2 m)
	Identification	6.9 ~ 162.9 m (Optional 5.8 ~ 175.0 m)
VIDEO	Max. Resolution	1920x1080
	Video Compression	Enhanced (H.265, H.264), H.265, H.264, MJPEG
	Frame Rate	Main Stream: (1920x1080, 1280x720, 704x480, 640x480) @ 30fps, (1920x1080, 1280x720, 704x576, 640x480) @ 25fps Sub Stream: (704x480, 704x240, 640x360, 352x240) @ 30fps, (704x576, 704x288, 640x360, 352x288) @ 25fps Third Stream: (352x240) @ 30fps, (352x288) @ 25fps
	Stream Settings	i-Frame, PAL/NTSC, Frame Rate
	EIS	Supported
	Video Bit Rate	32 kbps ~ 16 Mbps
	Bitrate Type	CBR, VBR
	Image Settings	Brightness, Contrast, Saturation, Hue, Sharpness, Rotation/Mirror, Gain, Exposure, Day/Night
	White Balance	Auto, Semi Auto, Sunshine, Daylight, Warm Light, Filament, Nature Light, Lock WB, Manual
	HLC	Supported
	BLC	Supported
	OSD	Up to 5 regions
	OSD Type	Title, Week, Date, Time, Text with Different Colors and Adaptable Sizes (16x16, 24x24, 32x32, 48x48, 64x64), Image overlay
	ROI	Up to 7 regions
	Privacy Mask	Up to 24 regions
AUDIO	Audio Compression	G.711A, G.711U, ADPCM_D, AAC_LC
	Audio Bit Rate	8 kbps, 32 kbps, 48 kbps
	Audio I/O	1/1
	Audio Voltage	Audio input, level 2.0~2.4V, Input Impedance 1 Kohms; Audio Output Impedance 600 ohms
SMART	Behavior Detection	Intrusion (Perimeter), Crossline (Tripwire), Double Crossline (Double Tripwire)
	Intelligent Identification	Abandoned Object (Object Left), Missing Object (Object Lost)
	Statistical Analysis	Abnormal Video & Audio Detection, People Counting, Human and Vehicle Classification
	Alarm Management	Motion Detection, Tampering (Masking), IP Address Conflict, Pre/Post Alarm Recording, Alarm Recording/Snapshot
	Alarm Notification	E-mail (Notification and Snapshot), HTTP (Alarm Icon), FTP (Snapshot and Recording), SD Card (Recording)
INTERFACE	Protocols	TCP/IP, UDP, IPv4, IPv6, ICMP, HTTP, HTTPS, FTP, DHCP, DNS, DDNS, RTP, RTSP, RTMP, PPPoE, NTP, UPnP, SMTP, SSL, TLS1.2, IGMP, QoS, 802.1x, Unicast, Multicast, ARP, SNMP, SFTP, P2P
	Security	AES 128 Video Encryption, IP Filter, User Authentication (Multiple Privilege Level), HTTPS Authentication, Digest Authentication, User Access Log
	Compatibility	ONVIF Profile (S, G, T, M), SDK/API/CGI
	Network	1 x RJ45 10M/100M Self Adaptive Ethernet Port
	Alarm I/O	1/1
	Alarm Voltage	Input (switch type), Output ($\leq 24V$ DC, Current $\leq 1A$)
	Serial Interface	N/A
	Edge Storage	Micro SD Card Slot, Up to 512 GB
	ANR	Supported
	Built-in Heater	N/A
	Built-in Fan	Supported
	Cable Interface	Pig Tail
	Remote Connection	≤ 7
Max. User	32	
Web Language	15	
Client Application	EyeConnect	

★Product specification and availability are subject to change without notice.

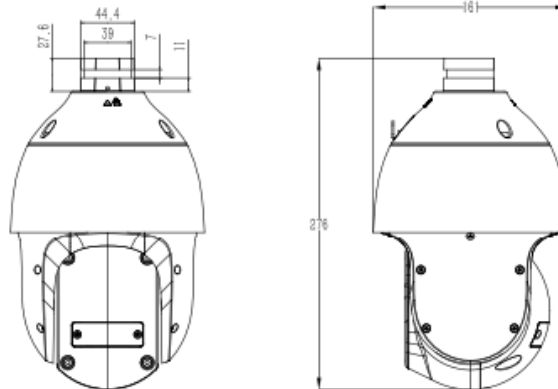
2MP PTZ DOME CAMERA



ENV-HPT5Z-150R-90

MODEL		ENV-HPT5Z-150R-90
Type		2MP PTZ DOME CAMERA
PAN AND TILT	Pan Range	0°~360° (Endless)
	Pan Speed	Pan Manual Speed: 0.1°/s ~ 200°/s, Pan Preset Speed: 240°/s
	Tilt Range	-16° ~ 90° (Auto flip)
	Tilt Speed	Tilt Manual Speed: 0.1°/s ~ 120°/s, Tilt Preset Speed: 180°/s
	Preset Accuracy	±0.4°
	Number of preset	500
	3D Position	Supported
	Power off Recovery	Supported
	PTZ Mode	8 Scan, 16 Tour (32 presets per Tour)
	Pattern	8 (each with 600s memory or 1000 orders)
GENERAL	Power Supply	12V DC, PoE+ (IEEE 802.3at)
	Max. Power Consumption	≤22 W (IR ON), ≤9 W (IR OFF)
	Working Temperature	-40° ~ 70°C
	Working Humidity	≤95% RH (non-condensing)
	Casing	Metal
	Ingress Protection	IP67
	Vandal Resistant	IK10 (Housing)
	Surge Protection	TVS6000V
	Reset Button	Supported
	Dimensions	Φ161×276 mm
Net Weight	3 kg	

Dimension Unit : mm



2MP PTZ DOME CAMERA



ENV-HPT5Z-150R-90

ORDERING INFORMATION

Part Number	Description	Standard Quantity
ENV-HPT5Z-150R-90 (With 4.5 ~ 112.5 mm Lens)	2MP IR IP H.265 PTZ Dome Camera with 25X Optical Zoom, PoE+, WDR, SD Card Slot and 150m IR Support	1
ENV-HPT5Z-150R-90 (With 4.8 ~ 120 mm Lens)	2MP IR IP H.265 PTZ Dome Camera with 25X Optical Zoom, PoE+, WDR, SD Card Slot and 150m IR Support	1
ENB-BFPW66	Wall Mount Bracket for Norden 4" PTZ Camera (Included in device package)	1
ENB-BTPH66	Outer Corner Bracket for Norden PTZ Camera	1
ENB-BTPV66	Pole Mount Bracket for Norden PTZ Camera	1
ENB-BTPP66	Pendant Mount Bracket for Norden PTZ Camera	1

PACKING INFORMATION

Part Number	Packing Mode	Gross weight(Kg)	Dimension(mm)
ENV-HPT5Z-150R-90	Carton Box	5.1	250x250x445