

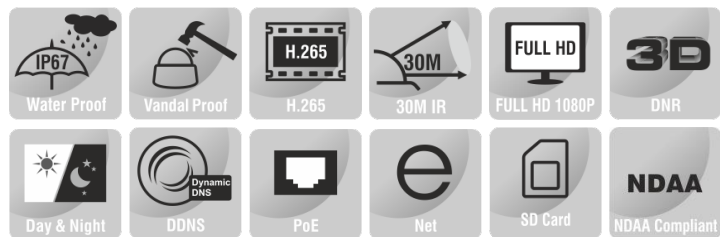
2MP FIXED VANDAL DOME CAMERA



ENV-HCV5F-30R-89

FEATURES

2.8 mm Fixed Lens
Smart IR Up to 30 m
ONVIF Profile (S, G, T)
Built-in Mic
PoE, IP67, IK10



SPECIFICATION

MODEL	Model No.	ENV-HCV5F-30R-89
	Type	2MP FIXED VANDAL DOME CAMERA
CAMERA	Image Sensor	1/2.8" CMOS Progressive 2.0 MegaPixel
	Day/Night	Dual IR Cut Filter with Auto Switch
	Lens Type	Fixed
	Focal Length	2.8 mm
	Iris Type	Fixed Iris
	Lens Mount	M12
	Angle of View (H)	99.7°
	Angle of View (V)	55.1°
	Angle of View (D)	113.9°
	Angle Adjustment	Pan 0~330°, Tilt 0~75°, Rotate 0~350°
	Aperture	F2.0
	Electronic Shutter	1s ~ 1/100,000s, Auto/Manual
	Min. Illumination	Color: 0.01 lux @ F2.0 , B/W: 0 lux with IR
	AGC	Auto / Manual
	Digital Noise Reduction	3D DNR
	S/N Ratio	≥60 dB
Defog	Smart Defog	
WDR	DWDR	
Smart IR	Up to 30 m	
IR LEDs	8	
Wavelength	850 nm	

★Product specification and availability are subject to change without notice.

►NORDEN® | 2MP FIXED VANDAL DOME CAMERA - GB - Version: 3.6

www.nordencommunication.com

2MP FIXED VANDAL DOME CAMERA



ENV-HCV5F-30R-89

MODEL	Model No.	ENV-HCV5F-30R-89
	Type	2MP FIXED VANDAL DOME CAMERA
DORI	Lens	2.8 mm
	Detection	38.6 m
	Observation	15.3 m
	Recognition	7.7 m
	Identification	3.8 m
VIDEO	Max. Resolution	1920x1080
	Video Compression	Enhanced (H.265, H264), H.265, H.264
	Frame Rate	Main Stream: (1920x1080, 1280x720, 704x480, 640x480) @ 30fps, (1920x1080, 1280x720, 704x576, 640x480) @ 25fps Sub Stream: (704x480, 704x240, 640x360, 352x240) @ 30fps, (704x576, 704x288, 640x360, 352x288) @ 25fps
	Stream Settings	I-Frame, PAL/NTSC, Frame Rate (1~30FPS), SVC
	Video Bit Rate	32 kbps ~ 6 Mbps
	Bitrate Type	CBR, VBR
	Image Settings	Brightness, Contrast, Saturation, Hue, Sharpness, Rotation/Mirror, Gain, Exposure, Day/Night
	White Balance	Auto, Semi Auto, Sunshine, Daylight, Warm Light, Filament, Nature Light, Lock WB, Manual
	Corridor Mode	N/A
	HLC	Supported
	BLC	Supported
	OSD	Up to 1 Regions
	OSD Type	Title, Week, Date, Time, Text with different colors and adaptable sizes (16x16, 32x32, 48x48)
	ROI	Up to 8 regions
	Privacy Mask	Up to 4 regions
	Heatmap	N/A
	Picture Overlay	N/A
AUDIO	Audio Compression	G.711A, G.711U, ADPCM_D
	Audio Bit Rate	8kbps, 32 kbps, 48kbps
	Audio I/O	N/A
	Audio Voltage	N/A
	Built-in Mic	Supported with noise cancellation
SMART	Behavior Detection	Intrusion (Perimeter), Crossline (Tripwire)
	Intelligent Identification	N/A
	Statistical Analysis	N/A
	Alarm Management	Motion Detection, Tampering (Masking), IP Address Conflict, Pre/Post Alarm Recording, Alarm Recording/Snapshot
INTERFACE	Protocols	TCP/IP, UDP, IPv4, ICMP, HTTP, HTTPS, DHCP, DNS, DDNS, RTSP, FTP, NTP, UPnP, P2P, QoS, Unicast, ARP
	Security	AES 128 Video Encryption, IP Filter, User Authentication (Multiple Privilege Level)
	Compatibility	ONVIF Profile (S, G, T), SDK/API/CGI
	Network	1 x RJ45 10M/100M Self Adaptive Ethernet Port
	Wi-Fi	N/A
	Alarm I/O	N/A
	Alarm Voltage	N/A
	Serial Interface	N/A
	USB	N/A
	Edge Storage	Micro SD Card Slot, Up to 512 GB
	ANR	Supported
	Built-in Speaker	N/A
	Built-in Heater	N/A
	Cable Interface	Cable Free
	Remote Connection	≤2
Web Language	15	
Client Application	EyeConnect	

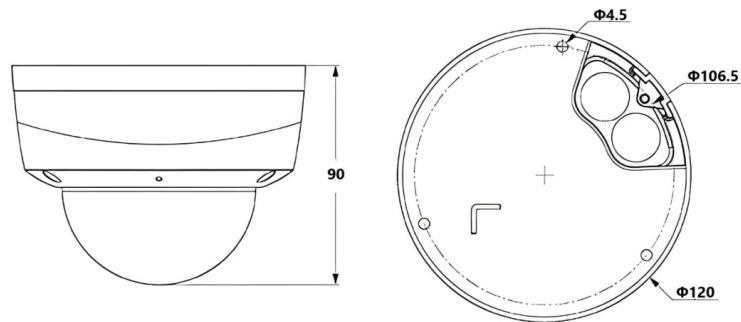
2MP FIXED VANDAL DOME CAMERA



ENV-HCV5F-30R-89

MODEL		ENV-HCV5F-30R-89
Type		2MP FIXED VANDAL DOME CAMERA
GENERAL	Power Supply	12V DC, PoE (IEEE 802.3af)
	Max. Power Consumption	≤6 W (12V DC), ≤7 W (PoE)
	Working Temperature	-45°C ~ 65 °C
	Working Humidity	≤95% RH (non-condensing)
	Ingress Protection	IP67
	Vandal Resistant	IK10
	Surge Protection	TVS4000V
	Reset Button	Supported
	Dimensions	Φ120×90 mm
Net Weight		0.4 Kg

Dimension Unit : mm



ORDERING INFORMATION

Part Number	Description	Standard Quantity
ENV-HCV5F-30R-89	2MP IR IP H.265 Vandal Proof Compact Dome camera with 2.8mm Fixed Lens, PoE, SD card slot, Built-in Mic and 30m IR support	1
ENB-BTDV66	Pole Mount Bracket for Norden Dome Camera	1
ENB-BTEW65	Wall Mount for Norden Lite Series Mini Dome (Plastic)	1
ENB-BTDW66	Wall Mount Bracket for Norden Fixed Lens Dome Camera (Metal)	1
ENB-BTDH66	Outer Corner Bracket for Norden Dome Camera	1

PACKING INFORMATION

Part Number	Packing Mode	Gross weight(Kg)	Dimension(mm)
ENV-HCV5F-30R-89	Carton Box	0.61	140×140×120