

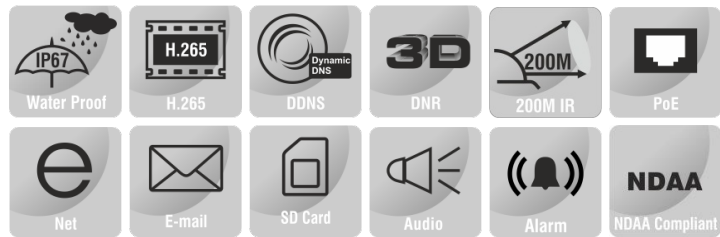
5MP PTZ DOME CAMERA



ENC-HHP8Z-200R-97

FEATURES

Starlight Illumination
 30X Optical Zoom
 Smart IR Up to 200 m
 ONVIF Profile (S, G, T, M)
 Triple Stream
 Audio and Alarm Support
 PoE ++, IP67



SPECIFICATION

MODEL	Model No.	ENC-HHP8Z-200R-97
	Type	5MP PTZ DOME CAMERA
CAMERA	Image Sensor	1/2.7" CMOS Progressive 5.0 MegaPixel
	Day / Night	IR Cut Filter with Auto Switch
	Lens Type	Motorized Zoom Lens
	Focal Length	4.5 ~ 135 mm (Optional 4.3 ~ 129 mm / 4.7 ~ 141 mm)
	Focus	Auto / Semi Auto / Manual
	Iris Type	P-Iris , Auto
	Angle of View (H)	62.6° ~ 2.3° (Optional 64.9° ~ 2.4° / 61.9° ~ 2.5°)
	Angle of View (V)	48.4° ~ 1.7° (Optional 50.0° ~ 1.8° / 35.5° ~ 1.4°)
	Angle of View (D)	80.0° ~ 2.9° (Optional 82.0° ~ 3.0° / 71.3° ~ 2.8°)
	Aperture	F1.6 ~ F4.3
	Optical Zoom	30X
	Digital Zoom	16X
	Zoom Speed	<5s
	Electronic Shutter	1s ~ 1/100,000s, Auto/Manual
	Min. Illumination	Color: 0.001 lux @ F1.6, B/W: 0 lux with IR
	AGC	Auto / Manual
Digital Noise Reduction	3D DNR, Auto / Manual	
S/N Ratio	≥60 dB	
Defog	Smart Defog	
WDR	120 dB	
IR LEDs	10	
Smart IR	Up to 200 m	
Wavelength	850 nm	

★Product specification and availability are subject to change without notice.

5MP PTZ DOME CAMERA



ENC-HHP8Z-200R-97

MODEL	Model No.	ENC-HHP8Z-200R-97
	Type	5MP PTZ DOME CAMERA
DORI	Lens	4.5 ~ 135 mm (Optional 4.3 ~ 1 29 mm / 4.7 ~ 141 mm)
	Detection	191.4 ~ 2551.0 m (Optional 88.0 ~ 2444.5 / 95.0 ~ 2600.0 m)
	Observation	36.0 ~ 1028.2 m (Optional 34.7 ~ 985.5 m / 37.2 ~ 1031.0 m)
	Recognition	17.2 ~ 510.0 m (Optional 16.5 ~ 489.0 m / 18.0 ~ 520.0 m)
	Identification	7.6 ~ 255.0 m (Optional 7.0 ~ 244.5 m / 8.0 ~ 260.0 m)
VIDEO	Max. Resolution	2880x1620
	Video Compression	Enhanced (H.265, H.264), H.265, H.264, MJPEG
	Frame Rate	Main Stream: (2880x1620, 2688x1520, 2560x1440, 2304x1296, 1920x1080, 1280x960, 1280x720) @ 25/30fps Sub Stream: (704x480, 704x240, 640x360, 352x240) @ 30fps, (704x576, 704x288, 640x360, 352x288) @ 25fps Third Stream: (1920x1080, 1280x960, 1280x720, 704x480, 704x240, 640x480, 352x240) @ 30fps, (1920x1080, 1280x960, 1280x720, 704x576, 704x288, 640x480, 352x288) @ 25fps
	Stream Settings	i-Frame, PAL/NTSC, Frame Rate, SVC
	EIS	Supported
	Video Bit Rate	32 kbps ~ 16 Mbps
	Bitrate Type	CBR, VBR
	Image Settings	Brightness, Contrast, Saturation, Hue, Sharpness, Rotation/Mirror, Gain, Exposure, Day/Night
	White Balance	Auto, Semi Auto, Sunshine, Daylight, Warm Light, Filament, Nature Light, Lock WB, Manual
	HLC	Supported
	BLC	Supported
	OSD	Up to 8 regions
	OSD Type	Title, Week, Date, Time, Text with Different Colors and Adaptable sizes (16x16, 24x24, 32x32, 48x48, 64x64, 96x96), Image overlay
	ROI	Up to 7 regions
	Privacy Mask	Up to 24 regions
	Heatmap	Supported
	AUDIO	Audio Compression
Audio Bit Rate		8 kbps, 32 kbps, 48 kbps
Audio I/O		1/1
Audio Voltage		Audio input, level 2.0~2.4Vp-p, Input Impedance 1 Kohms; Audio output Impedance 600 ohms
SMART	Behavior Detection	Intrusion (Perimeter), Crossline (Tripwire), Double Crossline (Double Tripwire)
	Intelligent Identification	Loitering, Running, Abandoned Object (Object Left), Missing Object(Object Lost), Parking
	Statistical Analysis	Face Capture, People Counting, Crowd Detection, On Duty Detection, Helmet Detection, Human & Vehicle Classification, Abnormal Video & Audio Detection
	Alarm Management	Motion Detection, Tampering (Masking), Input & Output Event, IP & MAC Address Conflict, Disk Alarm (Full & RW Error), FTP Server Exception, Abnormal Voltage, Pre/Post Alarm Recording, Alarm Recording/Snapshot
	Alarm Notification	E-mail (Notification and Snapshot), HTTP (Alarm Icon), FTP (Snapshot and Recording), SD Card (Recording)
INTERFACE	Auto Tracking	Supported
	Protocols	TCP/IP, UDP, IPv4, IPv6, ICMP, HTTP, HTTPS, FTP, DHCP, DNS, DDNS, RTP, RTCP, RTSP, RTMP, PPPoE, NTP, UPnP, SMTP, SSL, TLS 1.2, IGMP, QoS, 802.1x, Unicast, Multicast, SNMP, ARP, P2P
	Security	AES 128 Video Encryption, IP Filter, User Authentication (multiple privilege level), 802.1X Authentication (EAP-MD5), HTTPS Encryption, Digest Authentication, User Access Log
	Compatibility	ONVIF Profile (S, G, T, M), SDK/API/CGI
	Network	1 x RJ45 10M/100M Self Adaptive Ethernet Port
	Alarm I/O	8 / 2
	Alarm Voltage	Input (switch type), Output ($\leq 24V$ DC, Current ≤ 1 A)
	Serial Interface	1 x RS485
	Edge Storage	Micro SD Card Slot, Up to 512 GB
	ANR	Supported
	Fan	Supported
	Cable Interface	Pig Tail
	Max. User	32
Web Language	15	
Remote Connection	≤ 7	
Client Application	EyeConnect	

★Product specification and availability are subject to change without notice.

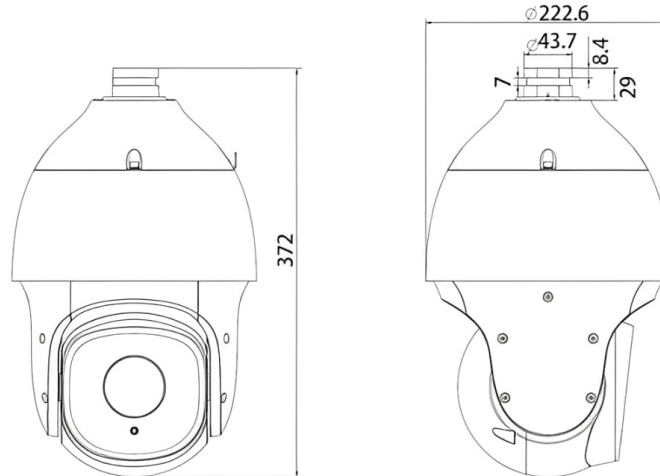
5MP PTZ DOME CAMERA



ENC-HHP8Z-200R-97

MODEL		ENC-HHP8Z-200R-97
Type		5MP PTZ DOME CAMERA
PAN AND TILT	Pan Range	0° ~ 360° (Endless)
	Pan Speed	Pan Manual Speed: 0.1°/s ~ 240°/s, Pan Preset Speed: 300°/s
	Tilt Range	-16° ~ 90° (Auto flip)
	Tilt Speed	Tilt Manual Speed: 0.1°/s ~ 180°/s, Tilt Preset Speed: 240°/s
	Preset Accuracy	±0.4°
	Number of Preset	500
	3D Position	Supported
	Power off Recovery	Supported
	PTZ Mode	8 Scan, 16 Tour (32 presets per Tour)
	Pattern	8
GENERAL	Power Supply	24V AC, PoE++(IEEE802.3bt)
	Max. Power Consumption	≤38 W (IR ON), ≤20 W (IR OFF),
	Working Temperature	-40 °C ~ 70 °C
	Working Humidity	≤95% RH (non-condensing)
	Ingress Protection	IP67
	Vandal Resistant	IK10 (Housing)
	Extra corrosion resistance coating	Supported (Optional)
	Surge Protection	TVS6000V
	Reset Button	Supported
	Dimensions	Φ222.6×372 mm
Net Weight	5.3 kg	

Dimension Unit : mm



5MP PTZ DOME CAMERA



ENC-HHP8Z-200R-97

ORDERING INFORMATION

Part Number	Description	Standard Quantity
ENC-HHP8Z-200R-97(With 4.5 ~ 135 mm Lens)	5MP Starlight IR IP H.265 PTZ Dome Camera with 30X Optical Zoom, PoE++, SD Card Slot, Smart Analytics, WDR and 200m IR Support	1
ENC-HHP8Z-200R-97(With 4.3 ~ 129 mm Lens)	5MP Starlight IR IP H.265 PTZ Dome Camera with 30X Optical Zoom, PoE++, SD Card Slot, Smart Analytics, WDR and 200m IR Support	1
ENC-HHP8Z-200R-97(With 4.7 ~ 141 mm Lens)	5MP Starlight IR IP H.265 PTZ Dome Camera with 30X Optical Zoom, PoE++, SD Card Slot, Smart Analytics, WDR and 200m IR Support	1
ENB-BTPW66	Wall Mount Bracket for Norden PTZ Camera (Included in Device Package)	1
ENB-BTPH66	Outer Corner Bracket for Norden PTZ Camera	1
ENB-BTPV66	Pole Mount Bracket for Norden PTZ Camera	1
ENB-BTPJ66	Junction Box for Norden PTZ Camera	1
ENB-BTPP66	Pendant Mount Bracket for Norden PTZ Camera	1

PACKING INFORMATION

Part Number	Packing Mode	Gross weight(Kg)	Dimension(mm)
ENC-HHP8Z-200R-97	Carton Box	8.45	320x320x520