

## 6.5" NARROW EDGE COAXIAL CEILING SPEAKER 10W



### DESCRIPTION

The NVS-10150010CS is a coaxial 2-way ceiling speaker designed for high-output PA and background music systems, delivering clear speech intelligibility and balanced music reproduction with wide dispersion for uniform sound coverage. Its coaxial driver design ensures consistent phase response and smooth frequency performance, while the flush-mount ceiling installation enables quick and secure fitting, making it ideal for schools, halls, parking areas, railway stations, airports, residential communities, malls, supermarkets, and recreation facilities.

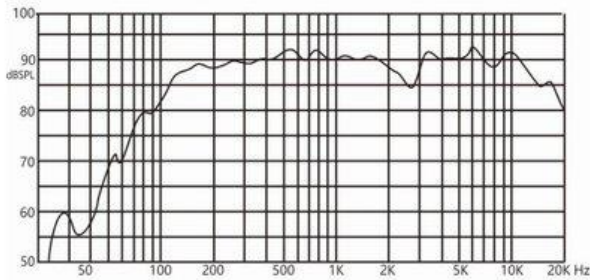
### FEATURES

- ⦿ Strong voice/music reproduction
- ⦿ Thin edge design
- ⦿ Aluminum mesh with RAL white coating

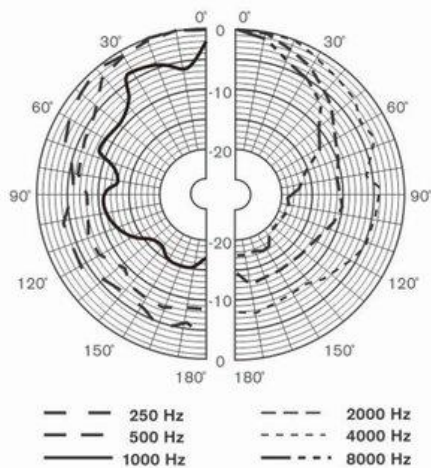
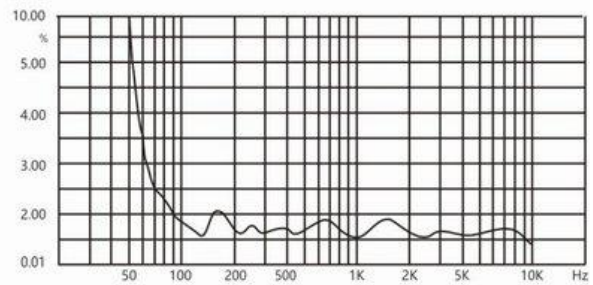
Specifications	
Model	NVS-10150010CS
Rated power	10W
Driver Size	6"x1, 0.75"x1
Frequency Response	90Hz-18KHz
Input Voltage/Impedance	100V
Coverage Angle	175°
Input connection	Four-wire Cable
Power Tapping	2.5W/5W/10W
Sensitivity(1m,1w)	93dB±2dB
Maximum SPL(1m)	103dB±2dB
Operating temperature	-25°C~+57°C
Dimension	∅190×80mm
Weight	1Kg

# 6.5" NARROW EDGE COAXIAL CEILING SPEAKER 10W

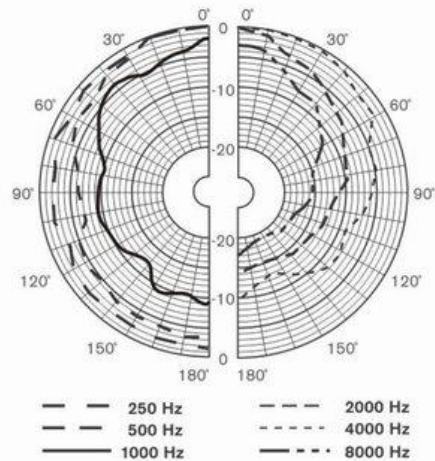
**FREQ. RESPONSE**  
(dB SPL, 1W, 1m)



**DISTORTION**  
(THD < 1.5% 1W, 1m 200Hz-10kHz)



**VERTICAL DIRECTIVITY PATTERN**



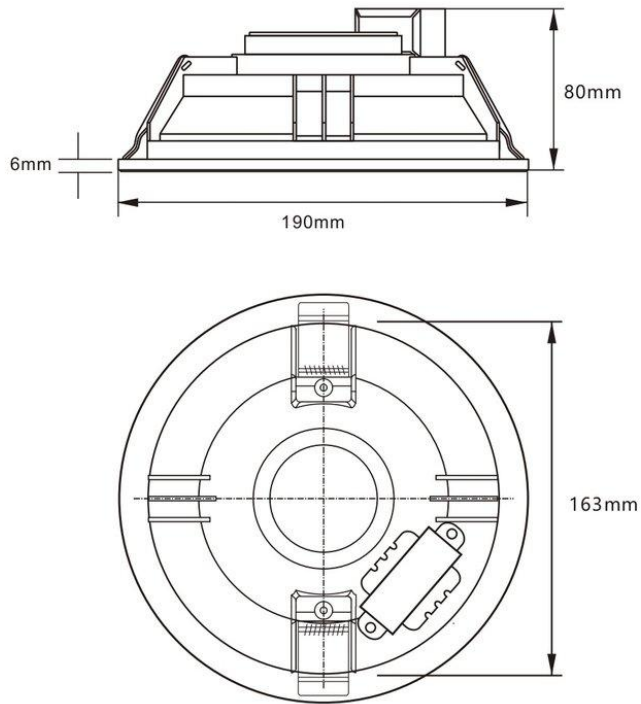
**HORIZONTAL DIRECTIVITY PATTERN**

**NVS-10150010CS**



# 6.5" NARROW EDGE COAXIAL CEILING SPEAKER 10W

## DIMENSION



## ORDERING INFORMATION

Part Number	Description	Standard Quantity
NVS-10150010CS	6.5" NARROW EDGE COAXIAL CEILING SPEAKER 10W	01

## ACCESSORIES INFORMATION

Description	Standard Quantity
User Manual	01