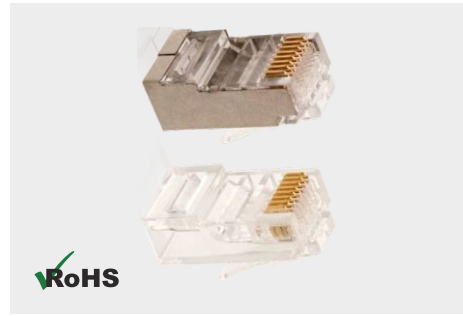


CATEGORY 6 RJ45 CONNECTOR

Category 6 Connectors exceed Category 6 long lasting high-performance and full support of all present and emerging applications, including 1000BASE-T (Gigabit-Ethernet). High quality overall shield provides excellent EMC (Electro Magnetic Compatibility), minimizing radiation and maximizing noise immunity, ensures long term resistance to corrosion from humidity, extreme temperatures, and airborne contaminants. The range of products includes plugs suitable for round cables with stranded or solid conductors, 23 to 26 AWG and are tested up to 250 MHz over 100 m. These are mainly used for patch-cord termination.



COMPLIANCE

IEEE 802.af, IEEE 802.3at for PoE applications.
ANSI/TIA-568.2-D and ISO/IEC-11801 (2nd Edition),
EN50173-2 Category 6 Standards, IEC 60603-7-4

DESIGN & MATERIALS

Housing Material	Polycarbonate, UL 94 V-0
Contact Surface Material	Gold over Nickel
Contact Blade	Copper Alloy
Gold Plating	3u" - 50u"
Wire Gauge	23 - 26 AWG, Solid or Stranded
Colour	Transparent or Other colour available.
Connector Design Type	2 Pcs Design (RJ45 connector + Loading Bar)

MECHANICAL & ELECTRICAL SPECIFICATIONS

Insertion Cycles	200 Mating Cycles
Dielectric Voltage	500 Volt AC
Insulation Resistance	500 MΩ
Contact Resistance	20mΩ Max
Operating Temperature	-40 °C to +70 °C @ 0-90 % RH (Non Condensing)

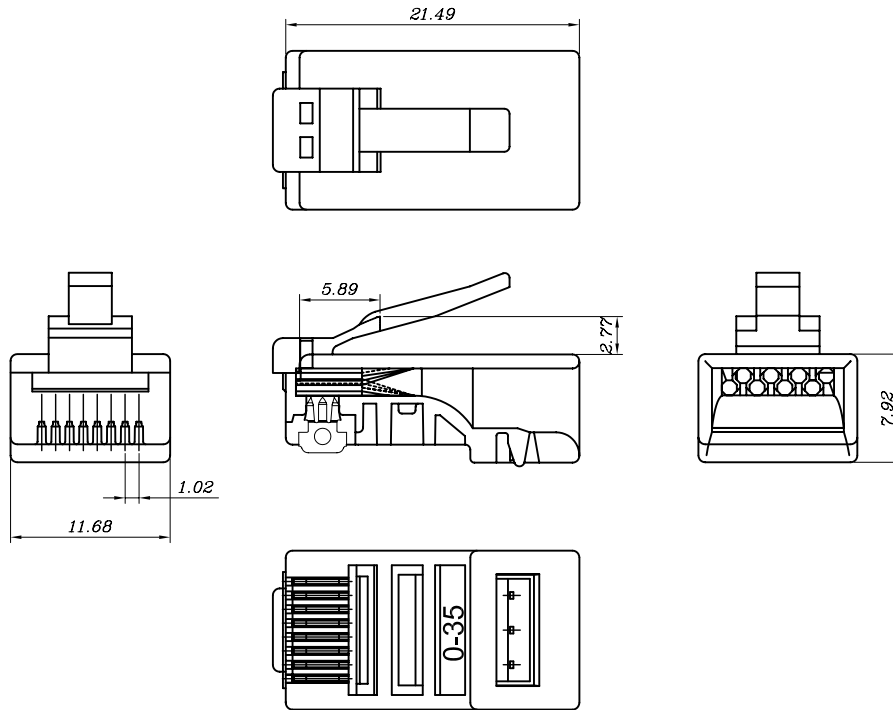
RJ45 CONNECTOR FOR CABLE DIA 6.7MM TO BELOW 8MM

Wire Gauge	24 - 26 AWG, Solid or Stranded
Operating Temperature	-40°C to +70°C
Insertion Cycles	1200 Cycles
Dielectric Voltage	1000 Volts AC .60 Sec

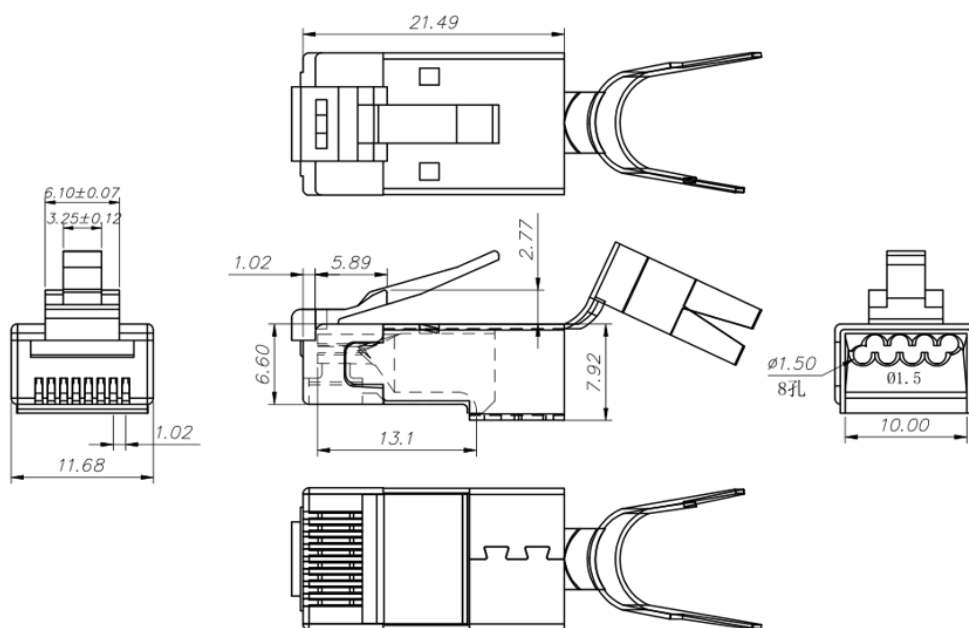
CATEGORY 6 RJ45 CONNECTOR

DRAWING

RJ45 CONNECTOR FOR CABLE DIA UPTO 6.7MM



RJ45 CONNECTOR FOR CABLE DIA 6.7MM TO BELOW 8MM



CATEGORY 6 RJ45 CONNECTOR

ORDERING INFORMATION

RJ45 CONNECTOR FOR CABLE DIA UPTO 6.7MM

Part Number	Description
128-31X	Category 6 UTP RJ45 Connector
128-32X	Category 6 FTP/STP RJ45 Connector

X: CL(Clear), ST(Steel), GD(Golden)

RJ45 CONNECTOR FOR CABLE DIA FROM 6.7MM TO BELOW 8MM

Part Number	Description
128-72X	Category 6 FTP/STP RJ45 Connector (cable dia 6.7mm to below 8mm)

PACKING INFORMATION

Part Number	Packing Qty.	Packing Mode	N.W (kg)	G.W (kg)	Dimension (mm)
128-31X	1000 x 10 x 1	Carton Box	8.0	9.0	350 x 310 x 510
128-32X	1000 x 10 x 1	Carton Box	11.7	12.8	350 x 310 x 510
128-72X	3400 Pcs	Carton Box	12.24	13.14	520 x 420 x 290