

FLOOR STANDING CABINET WITH COMBINATION LOCK

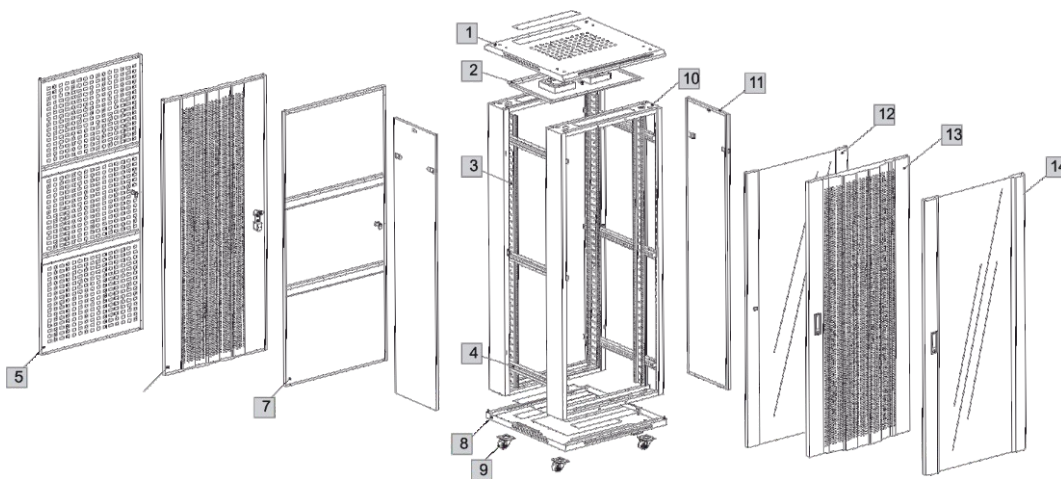


The Norden floor standing cabinets designed for communication rooms and data centers. The smart design and professional engineering provides easy installation and maintenance. Comply with ANSI/EIA RS-310-D, IEC 297-2, DIN 41491, PART 1, DIN 41497, PART 7, IEC 60297-2, ETSI standards.

FEATURES

- Intelligent design ensures easy installation
- Cable entry through bottom and top panel
- Removable side panel with key lock provides easy maintenance
- Combination lock for front door
- 180 degree turning angle for front door
- Front perforated curved door and back perforated door
- 19" installation
- Adjustable feet and heavy duty castors

Material	SPCC cold rolled steel
Deg. of Protection	IP20
Surface finish	Degreasing, phosphoric, powder coated
Loading capacity	800 KGS
Material thickness	Mounting profile: 2.0 mm, Angel: 1.5 mm, Other: 1.2 mm



SAMPLE STRUCTURE

- | | | |
|--------------------------------|----------------------------------|----------------|
| 1. Top cover | 6. High-density vented rear door | 10. Frame |
| 2. Fan unit | 7. Steel door without hole | 11. Side panel |
| 3. Mounting profile | 8. Bottom panel | 12. Front door |
| 4. Mounting angle | 9. 2" heavy duty castor | 13. Front door |
| 5. Rear door with square holes | | 14. Front door |

FLOOR STANDING CABINET WITH COMBINATION LOCK

DOOR TYPE



Front Perforated (Curved)



Back Perforated

ACCESSORIES

Accessories	Material Of Construction	Surface Coating & Colour	Quantity
Top cover	1.2 mm SPCC cold rolled steel	Powder coating	1 piece
Combination Lock	-	Black	2 piece
Mounting Angle, 4 Pcs for lower 32U	1.5 mm SPCC cold rolled steel	Powder coating	6 piece
Perforated curved Front door	1.2 mm SPCC cold rolled steel	Powder coating	1 piece
3" heavy duty castors	-	-	4 piece
Mounting Profile	2.0 mm SPCC cold rolled steel	Powder coating	4 piece
Small round Lock with 2 keys		Nickel coating	2 piece
Frame	1.2 mm SPCC cold rolled steel	Powder coating	2 piece
M6 Square nut, 40 sets for upper 32U	steel	Zinc Colour	20 piece
M6 B head screw, 40 sets for upper 32U	steel	Zinc Colour	20 piece
Side Panel	1.2 mm SPCC cold rolled steel	Powder coating	2 piece
Hex honeycomb-shaped rear door	1.2 mm SPCC cold rolled steel	Powder coating	1 piece
Bottom panel	1.2 mm SPCC cold rolled steel	Powder coating	1 piece
Allen wrench	steel	Black Colour	1 piece
M12 adjustable feet	-	-	4 piece

*3-part perforation available for ≥ 37U cabinets

ORDERING INFORMATION

Part Number	Description	Capacity (U)	Dimension(mm)
1320-278133X	27U 800 x 1000 Cabinet Front (Curved) Single Perforated and rear Single perforated Door with Combination Lock	27	800 x 1000 x 1390
1320-428133X	42U 800 x 1000 Cabinet Front (Curved) Single Perforated and rear Single perforated Door with Combination Lock	42	800 x 1000 x 2055
1320-428133X-D	42U 800 x 1000 Floor Standing Cabinet Front (Curved) Single Perforated and Rear Single Perforated Door with Combination Lock and Door Sensor	42	800 x 1000 x 2055
1320-428Z44X	42U 800 x 1070 Cabinet Front (Curved) double Perforated and rear double perforated door with Combination Lock	42	800 x 1070 x 2055

PACKING INFORMATION

Part Number	Packing Qty.	Packing Mode	N.W (kg)	G.W (kg)	Gross Volume* [CBM]
1320-428133X	4 x Flat Packing	Carton Box	133.0	143.8	0.805
1320-428133X-D	5 Flat packing	Flat packing, Carton box	144.0	151.0	0.72
1320-428Z44X	5 Flat packing	Flat packing	164.0	154.0	0.61