

## WALL MOUNT CABINET DOUBLE SECTION

The Norden range of wall cabinets designed for office environment. The cabinet's structure is welded and painted with electro static powder coated finish. Removable side panels ensure easy installation and maintenance. These wall cabinets are available in different sizes. Comply with ANSI/EIARS-310-D, DIN41497 part 1, IEC 297-2, DIN41497 part 7, IEC 60297, IEC 60297-2 & IEC 61969 standards.



### FEATURES

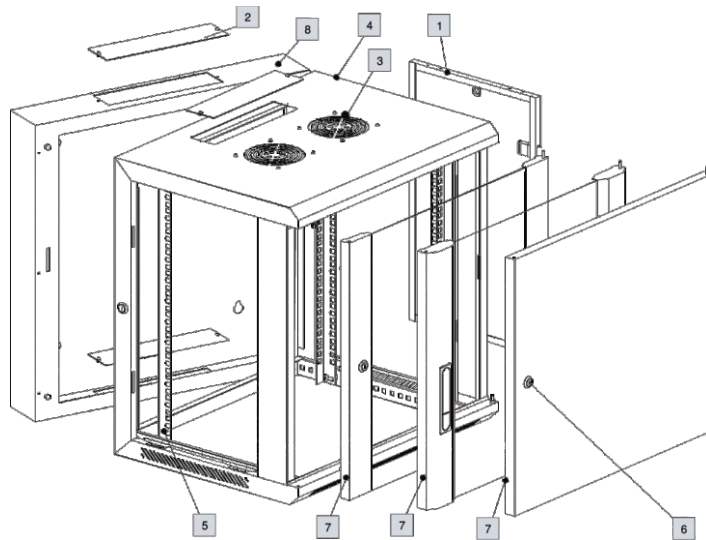
- Easy installation
- Standing or wall mounting installation
- Cable entry through bottom and top panel
- Removable side panel
- 180 degree turning angle for front door
- Welded frame
- 19" installation
- Easy maintenance through back side
- Front glass door with handle lock option available

### DESIGN & MATERIALS

Material	SPCC cold rolled steel
Degree of protection	IP20
Surface finish	Degreasing, phosphoric, powder coated
Loading capacity	70 KGS
Door material	SPCC cold rolled steel + tempered glass
Door hinges material	Zinc/aluminum alloy
Door bolt material	Iron
End plates and side panels thickness	1.2mm
Back base thickness	1.5mm
Door frame thickness	1.5mm
Type of profile rail shape	L shape and S shape
Paint coating thickness	60-80mu

# WALL MOUNT CABINET DOUBLE SECTION

## STRUCTURE



1. Side panel
2. Cable entry cover
3. Fan cover
4. Frame
5. Mounting profile
6. Lock
7. Front Door
8. Back panel

## ACCESSORIES

Accessories	Material Of Construction	Surface Coating & Colour	Quantity
Front door	5MM toughened glass door/1.2mm SPCC cold rolled steel	Powder coating	1 piece
Allen wrench	Steel	Black colour	1 piece
Mounting Panel	1.2mm SPCC cold rolled steel	Powder coating	1 piece
Cable entry cover	1.2mm SPCC cold rolled steel	Powder coating	1 piece
Fan cover	1.2mm SPCC cold rolled steel	Powder coating	1 piece
Mounting Profile	Upto 4U 1.2mm / Above 4U 1.5mm SPCC cold rolled steel	Powder coating	1 piece
Lock with 2 keys	-	-	2 piece
Frame	1.5mm SPCC cold rolled steel	Powder coating	1 piece
M6 Square nut	Steel	Zinc colour	10 piece
M6 head screw	Steel	Zinc colour	10 piece
Side Panel	1.2mm SPCC cold rolled steel	Powder coating	2 piece

## WALL MOUNT CABINET DOUBLE SECTION

### ORDERING INFORMATION

Part Number	Description	Capacity (U)	Dimension (mm)
<b>600 x 550 Size</b>			
1312-066510X	06U 600 x 550 Double Section Cabinet	06	600 x 550 x 368
1312-096510X	09U 600 x 550 Double Section Cabinet	09	600 x 550 x 501
1312-126510X	12U 600 x 550 Double Section Cabinet	12	600 x 550 x 630
1312-156510X	15U 600 x 550 Double Section Cabinet	15	600 x 550 x 769
1312-186510X	18U 600 x 550 Double Section Cabinet	18	600 x 550 x 901
1312-226510X	22U 600 x 550 Double Section Cabinet	22	600 x 550 x 1082
1312-276510X	27U 600 x 550 Double Section Cabinet	27	600 x 550 x 1304
<b>600 x 600 Size</b>			
1312-066610X	06U 600 x 600 Double Section Cabinet	06	600 x 600 x 368
1312-0666E0X	06U 600 x 600 Double Section Wall Mount Cabinet, Front Glass Door with Handle Lock	06	600 x 600 x 368
1312-096610X	09U 600 x 600 Double Section Cabinet	09	600 x 600 x 501
1312-126610X	12U 600 x 600 Double Section Cabinet	12	600 x 600 x 630
1312-156610X	15U 600 x 600 Double Section Cabinet	15	600 x 600 x 769
1312-186610X	18U 600 x 600 Double Section Cabinet	18	600 x 600 x 901
1312-186630X	18U 600 x 600 with Double Section Front Perforated Door Wall Mount cabinet	18	600 x 600 x 897
1312-226610X	22U 600 x 600 Double Section Cabinet	22	600 x 600 x 1082
1312-276610X	27U 600 x 600 Double Section Cabinet	27	600 x 600 x 1304
1312-096630X	09U 600 x600 with Double Section front perforated Door Wall Mount Cabinet	09	600 x 600 x 150
1312-126630X	12U 600 x600 with Double Section front perforated Door Wall Mount Cabinet	12	600 x 600 x 630
1312-156630X	15U 600 x 600 with Double Section Front Perforated door wall mount cabinet	15	600 x 600 x 769
<b>600 x 800 Size</b>			
1312-096810X	09U 600 x 800 Double Section Cabinet	09	600 x 800 x 501
1312-126810X	12U 600 x 800 Double Section Cabinet	12	600 x 800 x 630
1312-156810X	15U 600 x 800 Double Section Cabinet	15	600 x 800 x 769
1312-186810X	18U 600 x 800 Double Section Cabinet	18	600 x 800 x 901
<b>800 x 800 Size</b>			
1312-068810X	06U 800 x 800 Double Section Wall Mount Cabinet	06	800 x 800 x 368
1312-128810X	12U 800 x 800 Double Section Wall Mount Cabinet	12	800 x 800 x 630
1312-158810X	15U 800 x 800 Double Section Wall Mount Cabinet	15	800 x 800 x 769
1312-188830X	18U 800 x 800 with Double Section Front Perforated Door Wall Mount cabinet	18	800 x 800 x 897

X. R1 RAL 90041, R2(RAL 7035), R3(RAL 9010)

### ORDERING INFORMATION

## WALL MOUNT CABINET DOUBLE SECTION

Part Number	Packing Qty.	Packing Mode	N.W (kg)	G.W (kg)	Dimension (mm)
1312-066510X	1x 1	Carton Box	21.0	23.0	630 x 580 x 388
1312-096510X	1x 1	Carton Box	23.0	25.0	630 x 580 x 531
1312-096630X	1x 1	Carton Box	22.0	23.0	620 x 620 x 530
1312-126510X	1x 1	Carton Box	27.0	29.2	630 x 580 x 665
1312-156510X	1x 1	Carton Box	32.0	34.4	630 x 580 x 789
1312-186510X	1x 1	Carton Box	39.0	42.5	630 x 580 x 901
1312-226510X	1x 1	Carton Box	45.0	47.8	630 x 580 x 1130
1312-276510X	1x 1	Carton Box	51.0	54.0	630 x 580 x 1130
1312-066610X	1x 1	Carton Box	23.0	25.0	630 x 630 x 388
1312-0666E0X	1x 1	Carton Box	23.0	25.0	630 x 630 x 388
1312-096610X	1x 1	Carton Box	25.5	28.0	630 x 630 x 531
1312-126610X	1x 1	Carton Box	30.0	32.8	630 x 630 x 665
1312-156610X	1x 1	Carton Box	35.5	38.6	630 x 630 x 789
1312-126630X	1x 1	Carton Box	24.0	25.0	620 x 620 x 650
1312-186610X	1x 1	Carton Box	42.5	45.8	630 x 630 x 901
1312-226610X	1x 1	Carton Box	49.0	52.5	630 x 630 x 1130
1312-276610X	1x 1	Carton Box	55.9	58.6	630 x 630 x 1130
1312-096810X	1x 1	Carton Box	29.0	31.0	620 x 820 x 531
1312-126810X	1x 1	Carton Box	32.0	34.0	620 x 820 x 665
1312-156810X	1x 1	Carton Box	33.0	35.0	620 x 820 x 789
1312-068810X	1x 1	Carton Box	45.0	48.0	830 x 830 x 398
1312-128810X	1x 1	Carton Box	53.0	56.0	830 x 830 x 665
1312-158810X	1x 1	Carton Box	57.0	60.0	830 x 830 x 789
1312-186810X	1x 1	Carton Box	42.5	45.8	630 x 820 x 901
1312-186630X	1x 1	Carton Box	33	32	620 x 620 x 950
1312-188830X	1x 1	Carton Box	35	34	820 x 820 x 950

X: R1(RAL 90041, R2(RAL 70351, R3/RAL 9010)