

## WALL MOUNT CABINET SINGLE SECTION

The Norden wall mount cabinets are designed for office environments. The cabinet's structure is welded and painted with an electrostatic powdercoated finish. These wall-mount cabinets are available in different sizes and comply with ANSI/EIA RS-310-D, DIN 41497 part 1, IEC 297-2, DIN 41497 part 7, and IEC 60297, IEC 60297-2 & IEC 61969 standards.

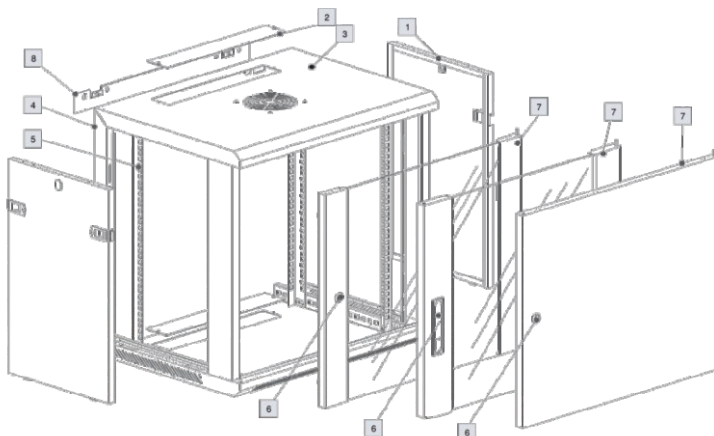


### FEATURES

- Easy installation
- Standing or wall mounting installation
- Cable entry through bottom and top panel
- 180 degree turning angle for front door
- Removable side panel
- Welded frame
- 19" installation

### DESIGN & MATERIALS

Material	SPCC cold rolled steel
Degree of protection	IP20
Surface finish	Degreasing, phosphoric, powder coated
Loading capacity	70 KGS
Door material	SPCC cold rolled steel + tempered glass
Door hinges material	Zinc/aluminum alloy
Door bolt material	Iron
End plates and side panels thickness	1.2mm
Back base thickness	1.5mm
Door frame thickness	1.5mm
Type of profile rail shape	L shape and S shape
Paint coating thickness	60-80mu



### STRUCTURE

1. Side panel
2. Cable entry cover
3. Fan cover
4. Frame
5. Mounting profile
6. Lock
7. Front door
8. Mounting panel

## WALL MOUNT CABINET SINGLE SECTION

### ACCESSORIES

Accessories	Material Of Construction	Surface Coating & Colour	Quantity
Front door	5mm toughened glass door /1.2mm SPCC cold rolled steel/Metal Perforated	Powder coating	1 piece
Allen wrench	Steel	Black colour	1 piece
Mounting Panel	1.2mm SPCC cold rolled steel	Powder coating	1 piece
Cable entry cover	1.2mm SPCC cold rolled steel	Powder coating	1 piece
Fan cover	1.2mm SPCC cold rolled steel	Powder coating	1 piece
Mounting Profile	Upto 4U 1.2mm / Above 4U 1.5mm SPCC cold rolled steel	Powder coating	1 piece
Lock with 2 keys	-	-	2 piece
Frame	1.5mm SPCC cold rolled steel	Powder coating	1 piece
M6 Square nut	Steel	Zinc colour	10 piece
M6 head screw	Steel	Zinc colour	10 piece
Side Panel	1.2mm SPCC cold rolled steel	Powder coating	2 piece
Ventilation Fan	-	-	1 piece
Adjustable feet	1.2mm SPCC cold rolled steel	Powder coating	1 piece

### ORDERING INFORMATION

Part Number	Description	Capacity (U)	Dimension (mm)
<b>550 x 600 Size</b>			
1311-06K610X	06U 550 x 600 Single Section Wall Mount Cabinet	06	550 x 600 x 368
1311-09K610X	09U 550 X 600 Single Section Wall Mount Cabinet	09	550 x 600 x 501
1311-12K610X	12U 550 X 600 Single Section Wall Mount Cabinet	12	550 x 600 x 635
1311-15K610X	15U 550 X 600 Single Section Wall Mount Cabinet	15	550 x 600 x 769
<b>600 x 300 Size</b>			
1311-046310X	04U 600 x 300 Single Section Wall mount Cabinet	04	600 x 300 x 279
1311-066310X	06U 600 x 300 Single Section Wall Mount Cabinet	06	600 x 300 x 368
1311-096310X	09U 600 X 300 Single Section Wall Mount Cabinet	09	600 x 300 x 501
<b>600 x 450 Size</b>			
1311-046410X	04U 600 x 435 Single Section Cabinet	04	600 x 435 x 279
1311-066410X	06U 600 x 450 Single Section Cabinet	06	600 x 450 x 368
1311-096410X	09U 600 x 450 Single Section Cabinet	09	600 x 450 x 501
1311-126410X	12U 600 x 450 Single Section Cabinet	12	600 x 450 x 635
1311-156410X	15U 600 x 450 Single Section Cabinet	15	600 x 450 x 769
1311-186410X	18U 600 x 450 Single Section Cabinet	18	600 x 450 x 901
1311-226410X	22U 600 x 450 Single Section Cabinet	22	600 x 450 x 1082
1311-276410X	27U 600 x 450 Single Section Cabinet	27	600 x 450 x 1304
<b>600 x 550 Size</b>			
1311-156510X	15U 600 x 550 Single Section Wall mount Cabinet	15	600 x 550 x 769
<b>600 x 600 Size</b>			
1311-066620X	06U 600 x 600 Single Section cabinet Front Metal Door	06	600 x 600 x 360
1311-066610X	06U 600 x 600 Single Section Cabinet	06	600 x 600 x 368
1311-096620X	09U 600 x 600 Single Section cabinet Front Metal Door	09	600 x 600 x 500
1311-096610X	09U 600 x 600 Single Section Cabinet	09	600 x 600 x 501

## WALL MOUNT CABINET SINGLE SECTION

### ORDERING INFORMATION

Part Number	Description	Capacity (U)	Dimension (mm)
<b>600 x 600 Size</b>			
1311-126620X	12U 600 x 600 Single Section cabinet Front Metal Door	12	600 x 600 x 635
1311-156610X	15U 600 x 600 Single Section Cabinet	15	600 x 600 x 769
1311-156620X	15U 600 x 600 Single Section cabinet Front Metal Door	15	600 x 600 x 770
1311-186610X	18U 600 x 600 Single Section Cabinet	18	600 x 600 x 901
1311-226610X	22U 600 x 600 Single Section Cabinet	22	600 x 600 x 1082
1311-276610X	27U 600 x 600 Single Section Cabinet	27	600 x 600 x 1304
<b>600 x 800 Size</b>			
1311-066810X	06U 600 X 800 Single Section Wall Mount Cabinet	06	600 x 800 x 368
1311-156810X	15U 600 x 800 Single Section Wall Mount Cabinet	15	600 x 800 x 769
1311-186810X	18U 600 x 800 Single Section Cabinet	18	600 x 800 x 901
1311-186832X	18U 600 x 800 Single Section cabinet Front Perforated/Rear metal Door	18	600 x 800 x 901
<b>600 x 800 Size</b>			
1311-228810X	22U 800 x 800 Single Section Cabinet Front Glass Door including 2 Fan	22	800 x 800 x 1082

X: R1(RAL 9004), R2 RAL 7035], R3(RAL 9010)